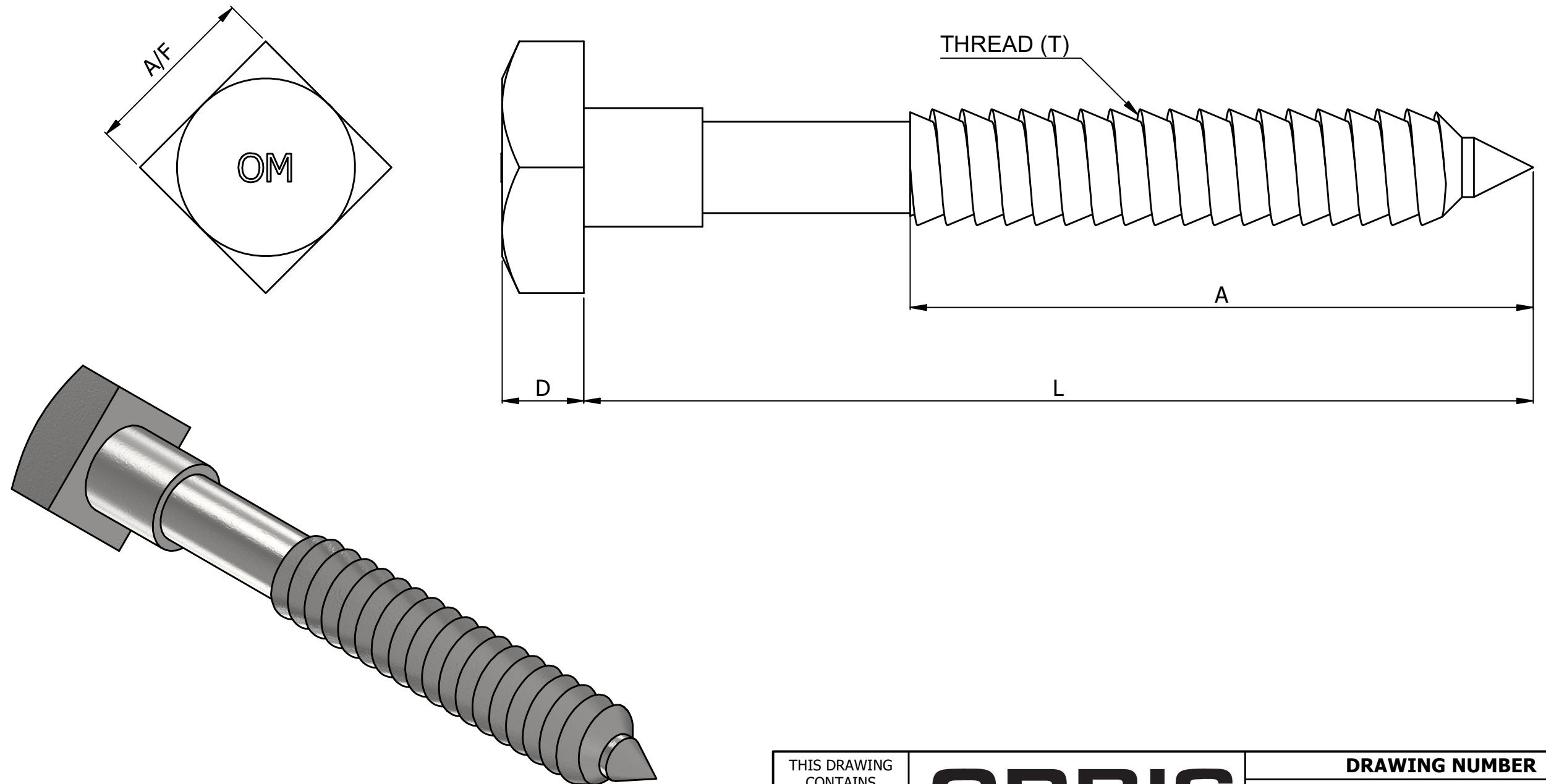


SR NO	PART NUMBER	DESCRIPTION	THREAD (T)	LENGTH (L)	THREAD LENGTH (A)	A/F	DEPTH (D)
1	SLFR142	SCREW LAG FETTER DRIVE WITH REGULAR POINT SQUARE HEAD 1/4" x 2"	1/4	2	1-1/2	7/16	11/64
2	SLFR14212	SCREW LAG FETTER DRIVE WITH REGULAR POINT SQUARE HEAD 1/4" x 2-1/2"	1/4	2-1/2	1-3/4	7/16	11/64
3	SLFR38212	SCREW LAG FETTER DRIVE WITH REGULAR POINT SQUARE HEAD 3/8" x 2-1/2"	3/8	2-1/2	1-3/4	9/16	1/4
4	SLFR383	SCREW LAG FETTER DRIVE WITH REGULAR POINT SQUARE HEAD 3/8" x 3"	3/8	3	2	9/16	1/4
5	SLFR384	SCREW LAG FETTER DRIVE WITH REGULAR POINT SQUARE HEAD 3/8" x 4"	3/8	4	3	9/16	1/4
6	SLFR124	SCREW LAG FETTER DRIVE WITH REGULAR POINT SQUARE HEAD 1/2" x 4"	1/2	4	2-5/8	3/4	11/32
7	SLFR12412	SCREW LAG FETTER DRIVE WITH REGULAR POINT SQUARE HEAD 1/2" x 4-1/2"	1/2	4-1/2	2-5/8	3/4	11/32
8	SLFR585	SCREW LAG FETTER DRIVE WITH REGULAR POINT SQUARE HEAD 5/8" x 5"	5/8	5	3-1/2	15/16	27/64



NOTE:-

1. GALVANIZED AS PER ASTM A153.
2. MATERIAL: HOT ROLLED CARBON STEEL.
3. DIMENSIONS ARE IN INCHES UNLESS OTHERWISE SPECIFIED.
4. UPSET SHOULDER DIAMETER IS EQUAL TO THE THREAD DIAMETER.

THIS DRAWING CONTAINS CONFIDENTIAL INFORMATION AND IS THE EXCLUSIVE PROPERTY OF ORBIS MANUFACTURING	ORBIS			DRAWING NUMBER	
				SLFRXXX	
				DESCRIPTION	
				SCREW LAG FETTER DRIVE WITH REGULAR POINT SQUARE HEAD	
DRAWN	MSM	DATE	11-08-2023		
APPROVED	DMM	DATE	18-08-2023		
REVISION	-				