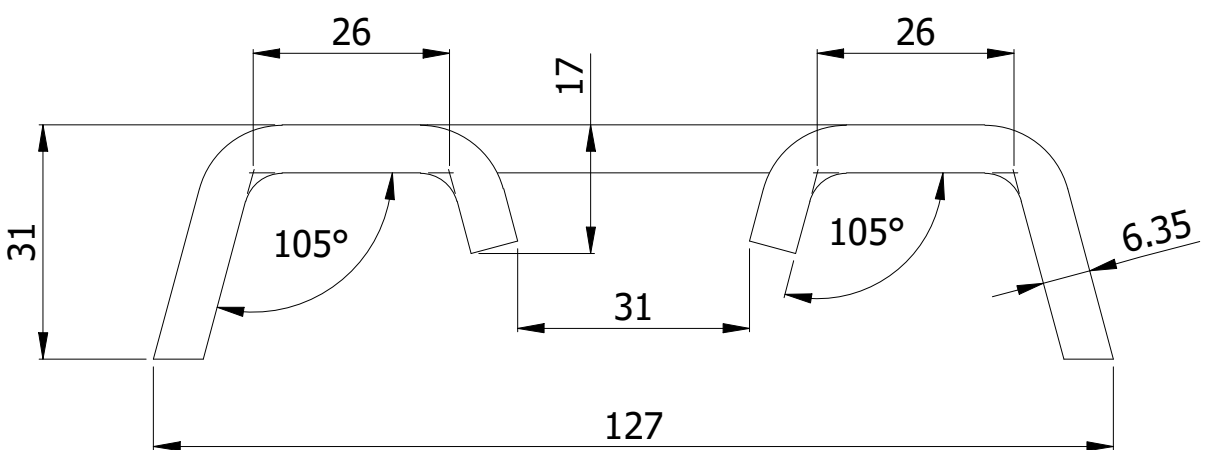
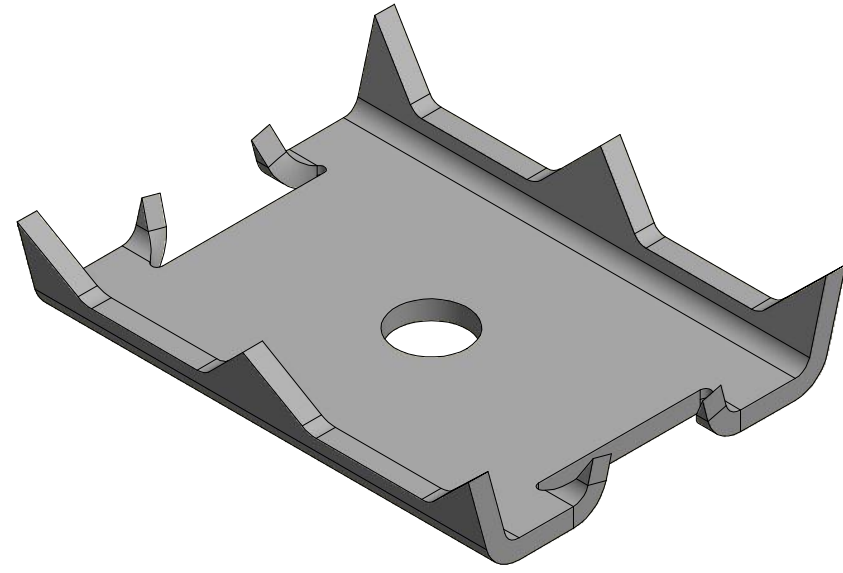
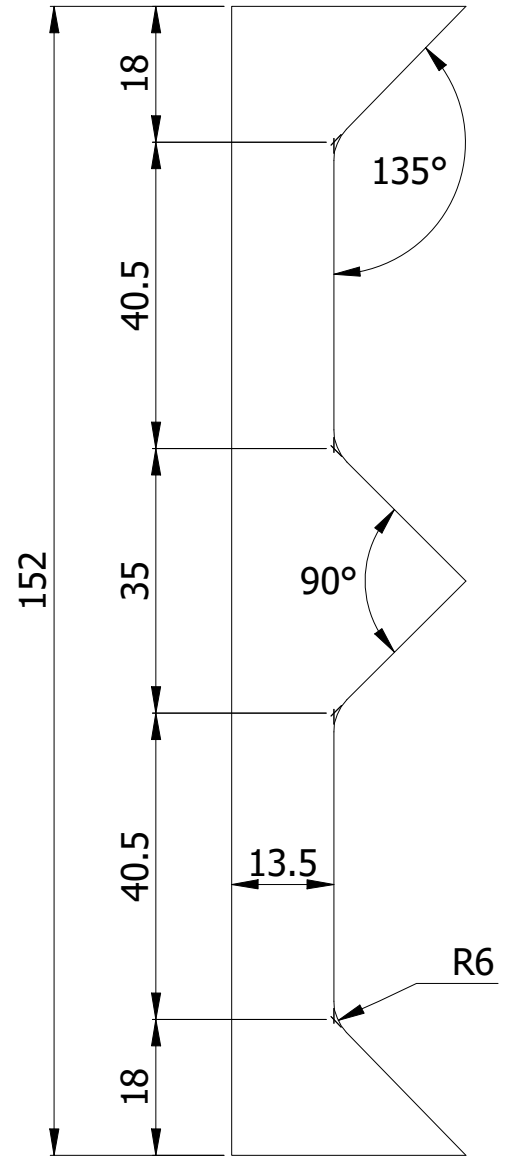
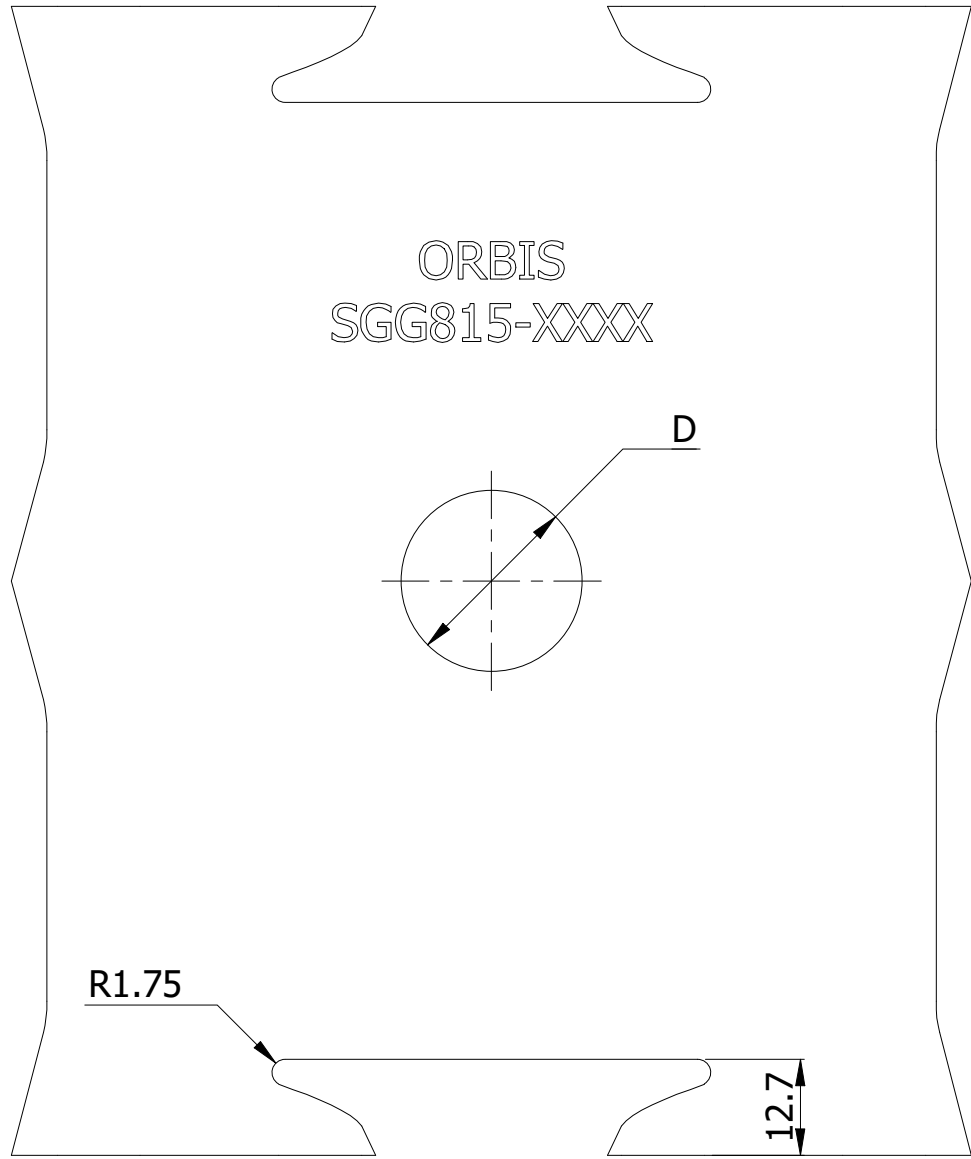


SR NO	PART NUMBER	DESCRIPTION	D (INCH)
1	SGG815-1316	STEEL GRID GAIN 8" TO 15" POLE 5" WIDE 6" LONG 13/16" BOLT HOLE HDG	13/16
2	SGG815-1516	STEEL GRID GAIN 8" TO 15" POLE 5" WIDE 6" LONG 15/16" BOLT HOLE HDG	15/16



- NOTE:-
1. THIS PRODUCT MEETS THE REQUIREMENTS OF RELEVANT CSA & ANSI STANDARDS
 2. MATERIAL: HOT DIP GALVANIZED STEEL PLATE
 3. GALVANIZING STANDARD: CSA G164
 4. ALL DIMENSIONS ARE IN MM UNLESS SPECIFIED

THIS DRAWING CONTAINS CONFIDENTIAL INFORMATION AND IS THE EXCLUSIVE PROPERTY OF ORBIS MANUFACTURING



DRAWN	MSM	DATE	01-08-2022
APPROVED	DMM	DATE	08-08-2022
REVISION	-		

DRAWING NUMBER
SGG815-XXXX
DESCRIPTION
STEEL GRID GAIN 8" TO 15" POLE 5" WIDE 6" LONG D" BOLT HOLE HDG