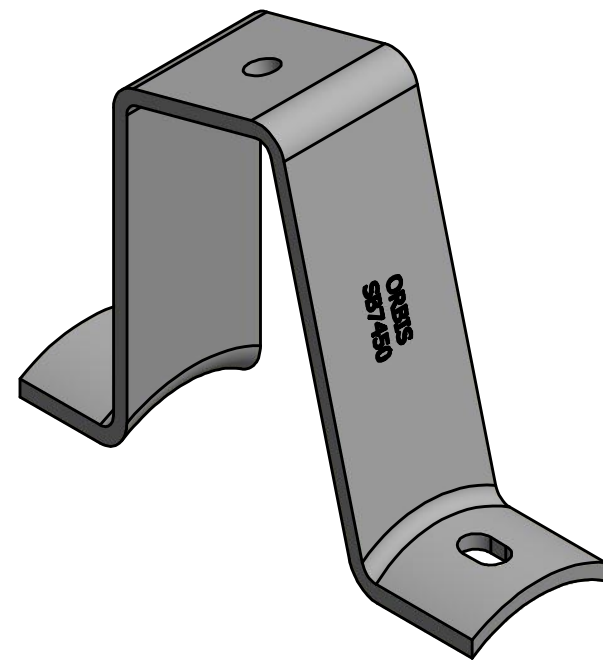
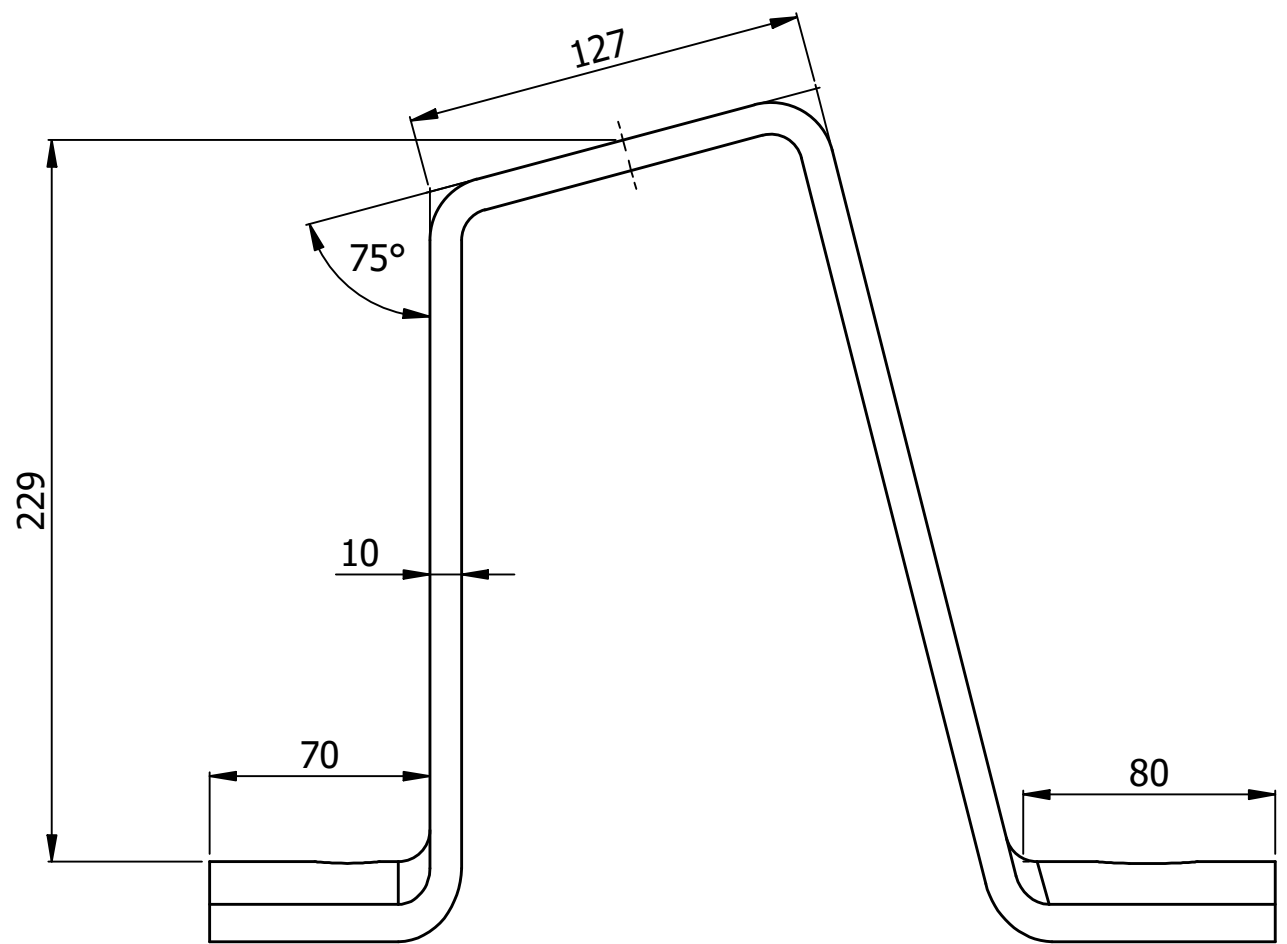


**SECTION A-A**



NOTES:  
 MATERIAL: HEAVY DUTY HDG STEEL  
 FINISH: GALVANIZED AS PER ASTM A153  
 MEASUREMENTS: ALL DIMENSIONS IN MM

THIS DRAWING CONTAINS CONFIDENTIAL INFORMATION AND IS THE EXCLUSIVE PROPERTY OF ORBIS MANUFACTURING				<b>DRAWING NUMBER</b>	
				SB7450	
				<b>DESCRIPTION</b>	
				SIDEARM BRACKET FOR STANDOFF INSULATORS 3/4" MOUNTING HOLES AND STUD HOLE [CHICKEN WING]	
DRAWN	MSM	DATE	29-07-2022		
APPROVED	DMM	DATE	05-08-2022		
REVISION	-				