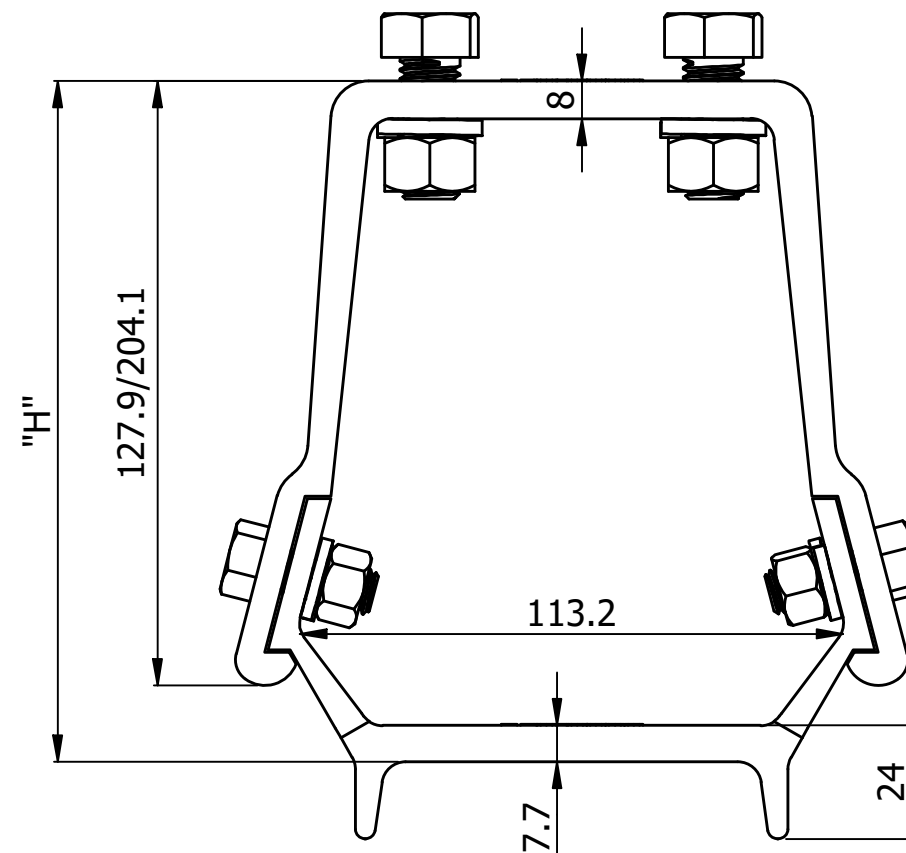
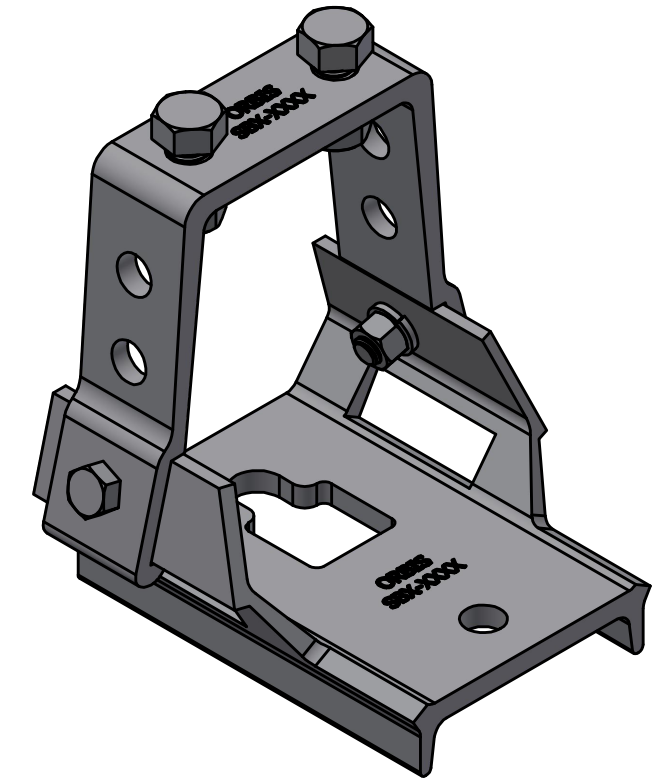
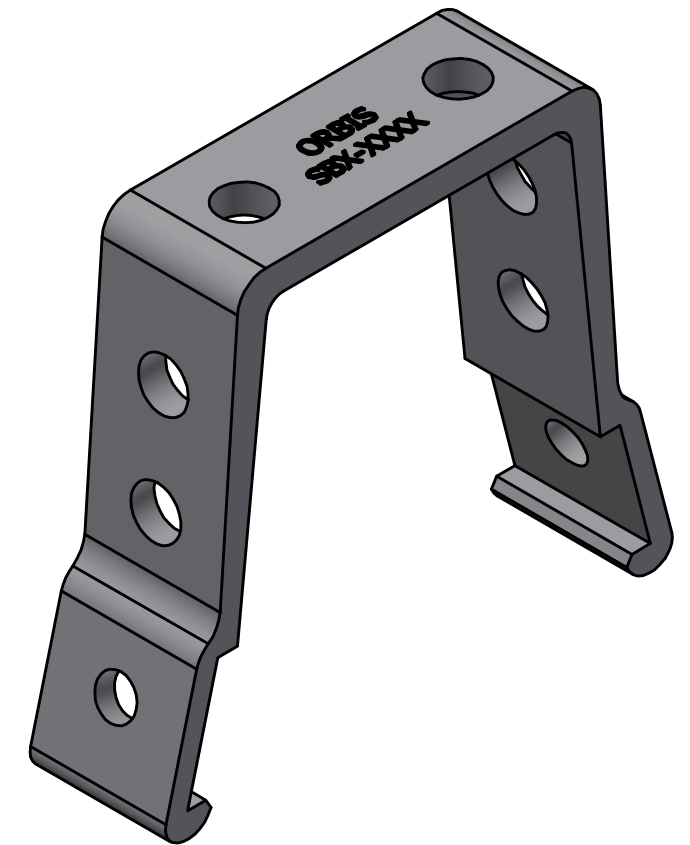
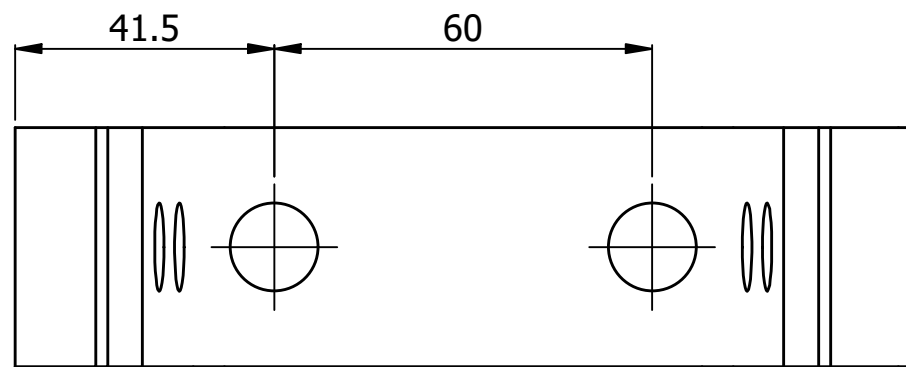
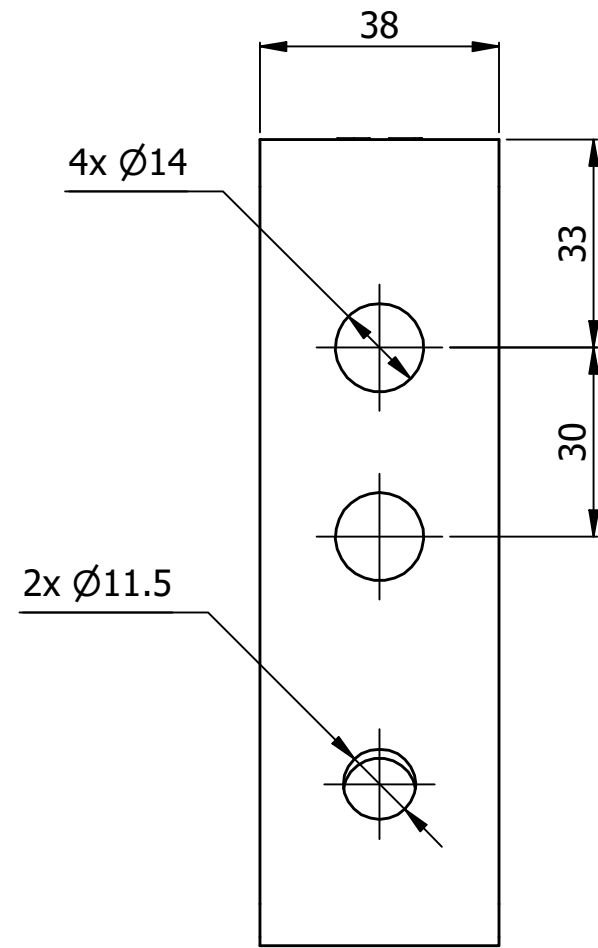
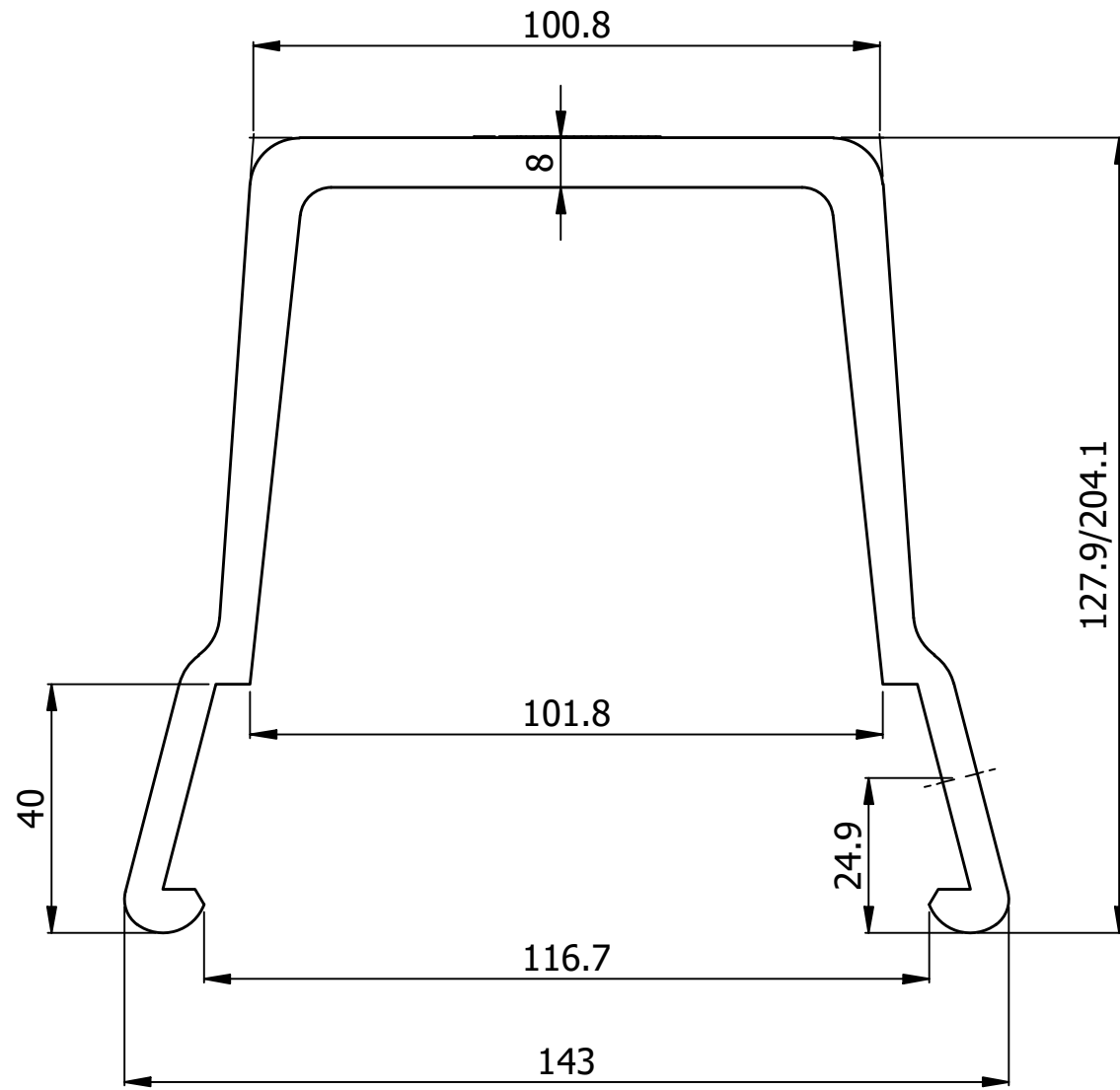


SR NO	PART NUMBER	DESCRIPTION	"M" MOUNT	"H" HEIGHT
1	SB6-1116-L	STANDOFF BRACKET 6" ALUMINUM 5/8" BOLT MOUNT	18	152.4
2	SB6-1316-L	STANDOFF BRACKET 6" ALUMINUM 3/4" BOLT MOUNT	21	152.4
3	SB9-1116-L	STANDOFF BRACKET 9" ALUMINUM 5/8" BOLT MOUNT	18	228.6
4	SB9-1316-L	STANDOFF BRACKET 9" ALUMINUM 3/4" BOLT MOUNT	21	228.6

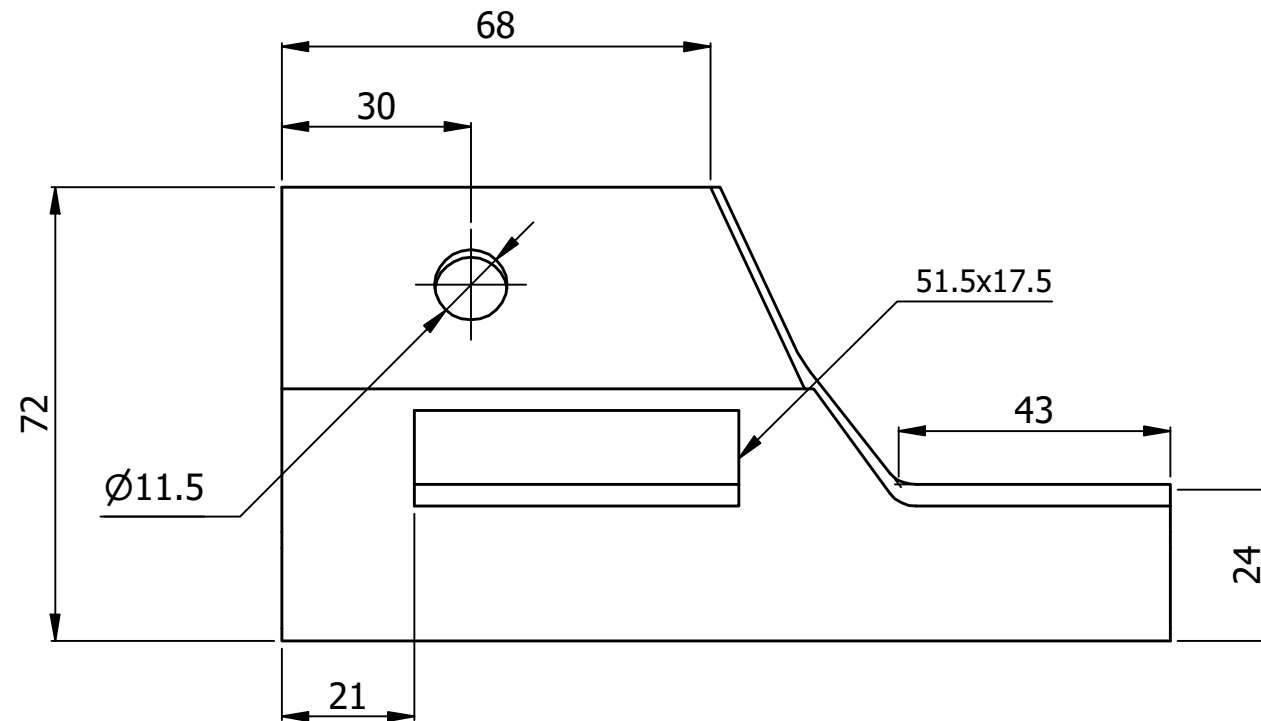
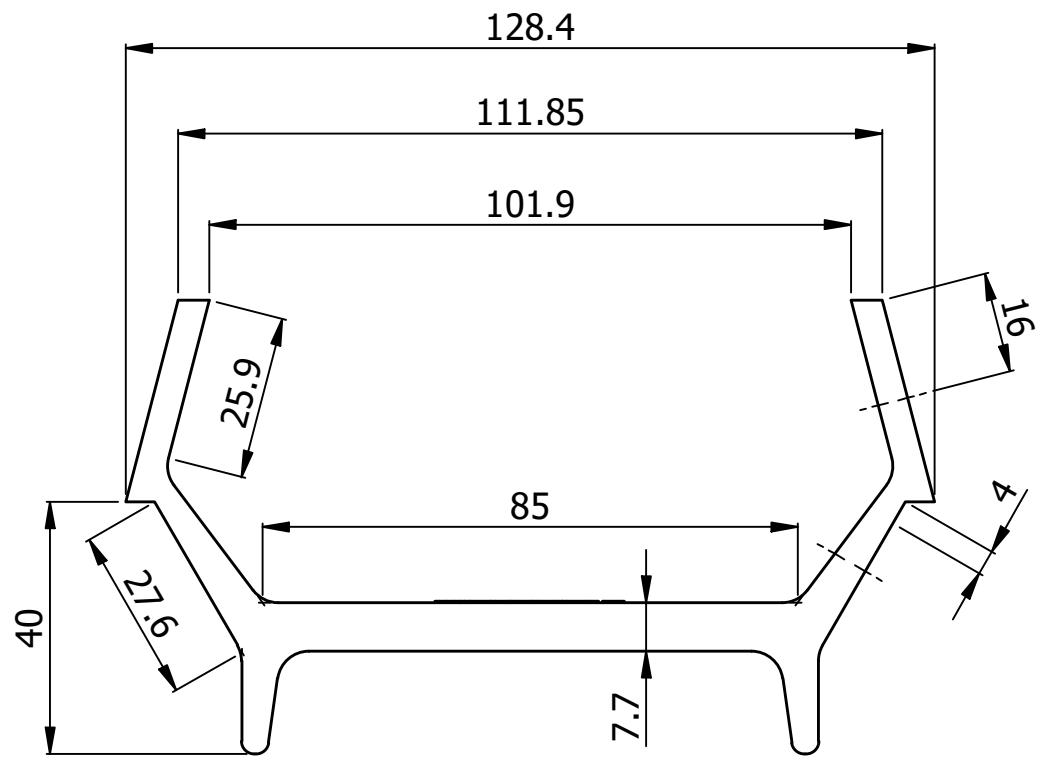
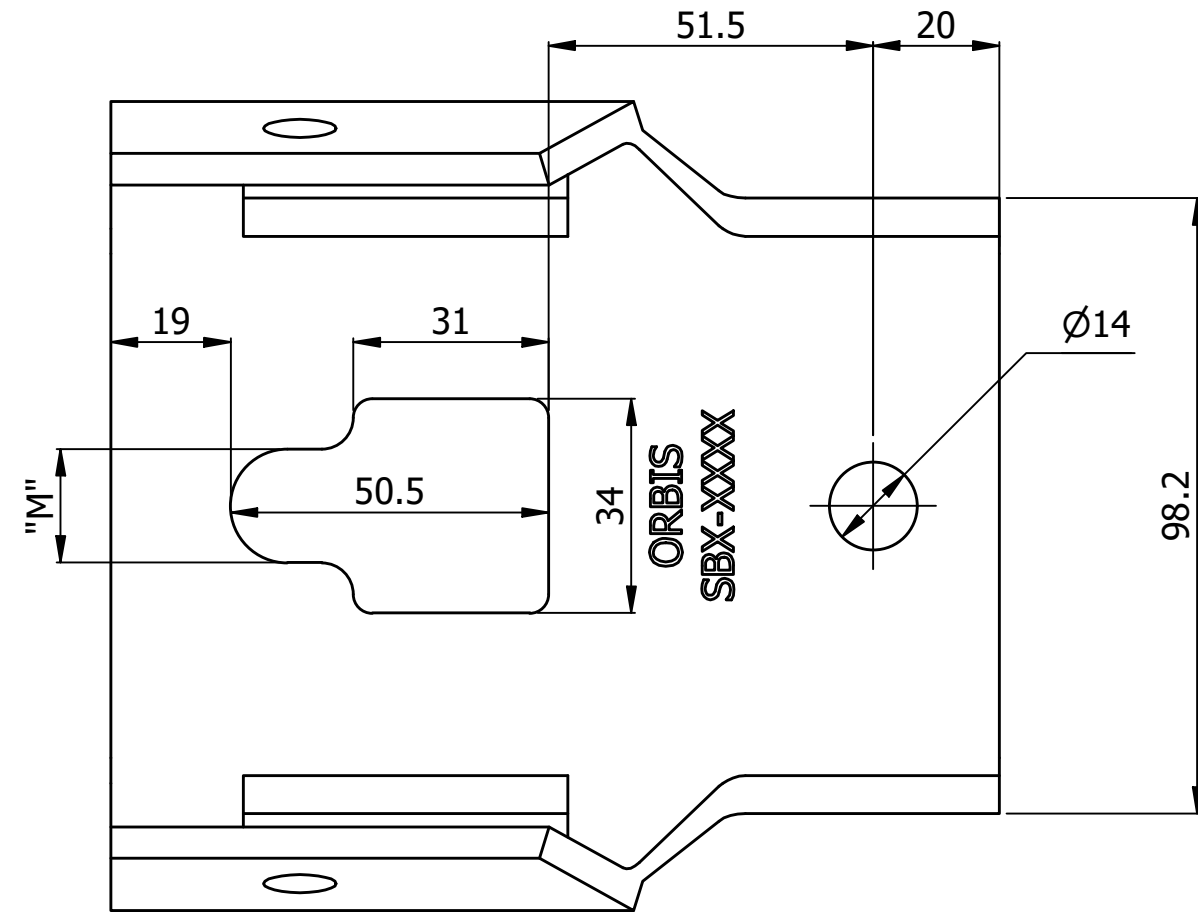
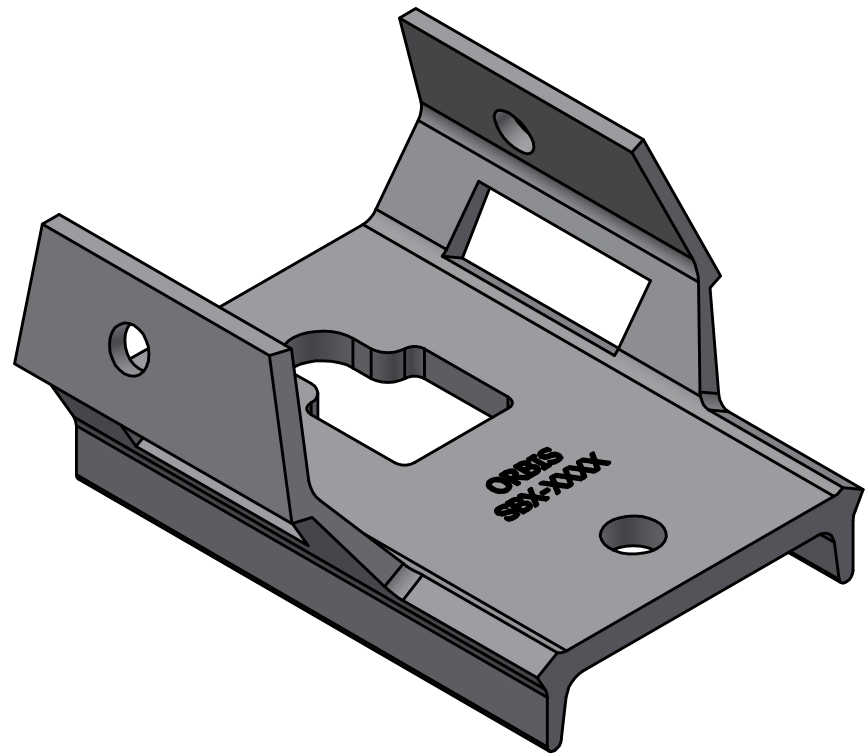


NOTE:
 MATERIAL: ALUMINIUM ALLOY
 HARDWARE: GALVANIZED STEEL
 ACCESSORIES: TWO HEX NUTS, SINGLE COIL LOCK WASHER & BOLTS 1/2"x30mm
 TWO HEX NUTS, SINGLE COIL LOCK WASHER & BOLTS 3/8"x25mm.

THIS DRAWING CONTAINS CONFIDENTIAL INFORMATION AND IS THE EXCLUSIVE PROPERTY OF ORBIS MANUFACTURING				DRAWING NUMBER	
				SBX-XXXX-L	
	DRAWN MSM DATE 10-05-2023 APPROVED DMM DATE 10-05-2023 REVISION R1.2			DESCRIPTION	
				STANDOFF BRACKET ALUMINUM WITH BOLT MOUNT	



THIS DRAWING CONTAINS CONFIDENTIAL INFORMATION AND IS THE EXCLUSIVE PROPERTY OF ORBIS MANUFACTURING	ORBIS			DRAWING NUMBER	
				SBX-XXXX-L	
				DESCRIPTION	
				STANDOFF BRACKET ALUMINUM WITH BOLT MOUNT	
	DRAWN	MSM	DATE	10-05-2023	
	APPROVED	DMM	DATE	10-05-2023	
	REVISION	R1.2			



THIS DRAWING
CONTAINS
CONFIDENTIAL
INFORMATION
AND IS THE
EXCLUSIVE
PROPERTY OF
ORBIS
MANUFACTURING

ORBIS

DRAWN	MSM	DATE	10-05-2023
APPROVED	DMM	DATE	10-05-2023
REVISION	R1.2		

DRAWING NUMBER

SBX-XXXX-L

DESCRIPTION

STANDOFF BRACKET ALUMINUM
WITH BOLT MOUNT