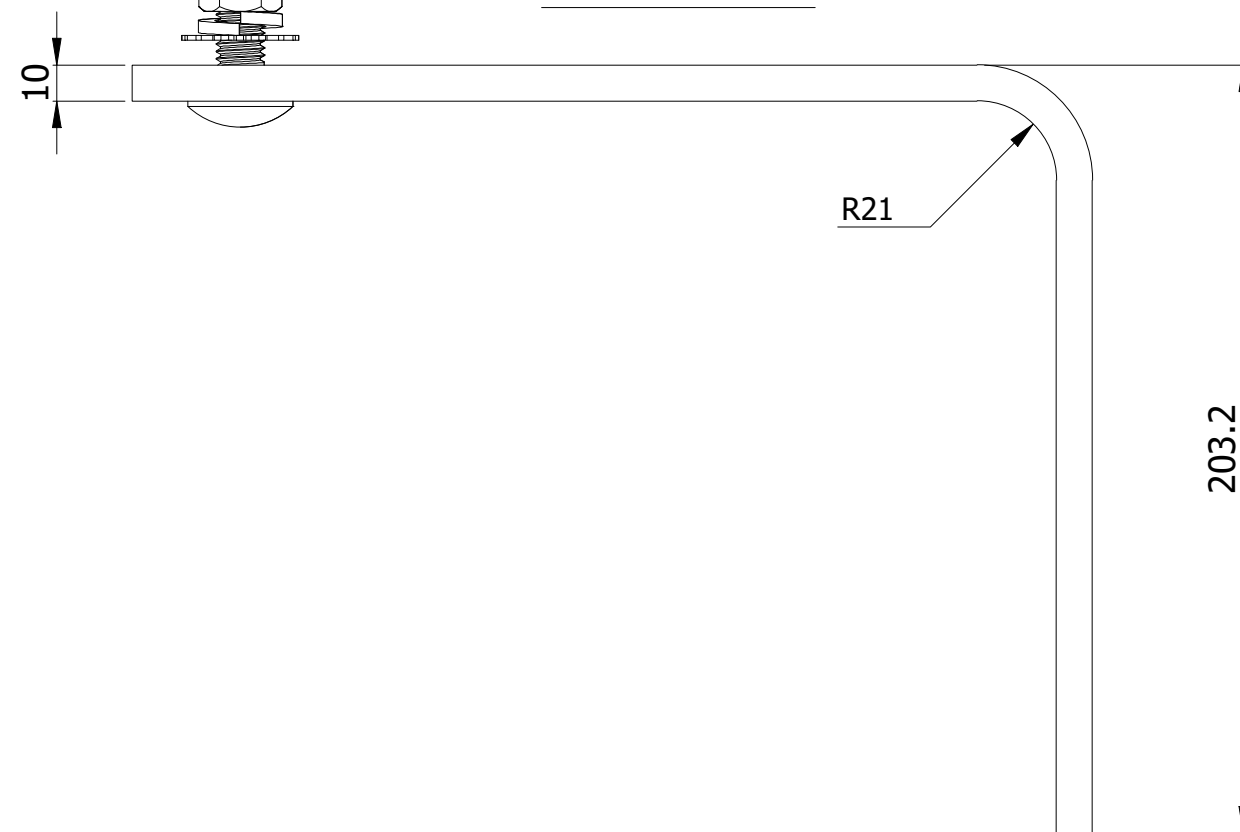
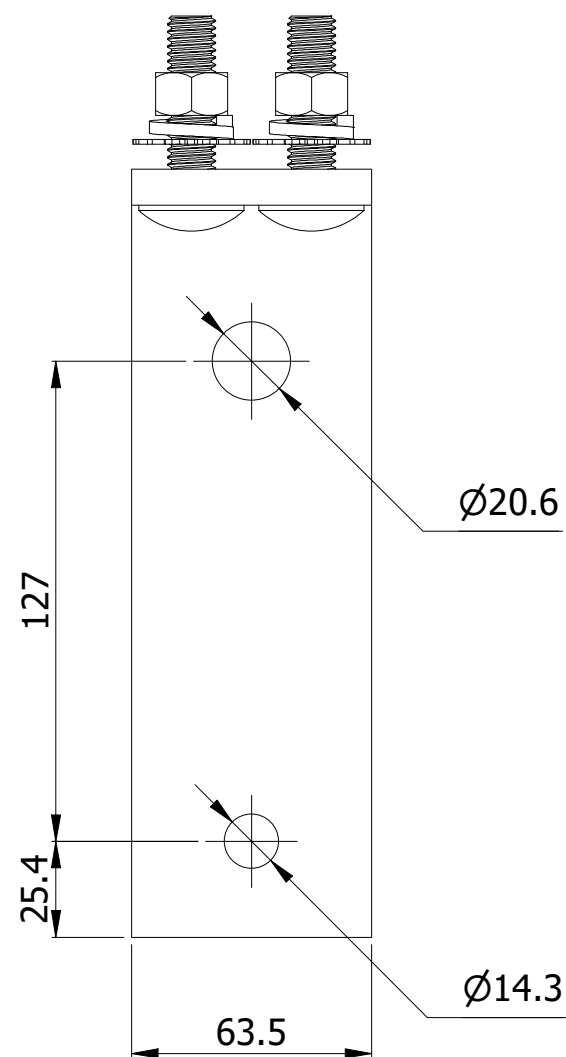


CARRIAGE BOLT SIZE 1/2"x2"  
2 NO. GALVANIZED CARRIAGE BOLT  
ASSEMBLY EACH INCLUDES,

- CARRIAGE BOLT 1/2"x2"
- LOCK WASHER
- HEX NUT
- STAR WASHER



NOTES:

1. ALL DIMENSIONS ARE IN MM.
2. MATERIAL: STEEL.
3. FINISH: HOT DIP GALVANIZED TO ASTM-153.
4. TOLERANCE: ±5% FOR ALL DIMENSIONS.

THIS DRAWING  
CONTAINS  
CONFIDENTIAL  
INFORMATION  
AND IS THE  
EXCLUSIVE  
PROPERTY OF  
ORBIS  
MANUFACTURING



DRAWN	MSM	DATE	23-03-2023
APPROVED	DMM	DATE	24-03-2023
REVISION	DMM	R3	10-06-2024

DRAWING NUMBER

PMLB810

DESCRIPTION

POLE MOUNTING L BRACKET 8"H x 10"D x  
2.5"W C/W TWO 1/2"x2" BOLTS/NUTS/  
LW/ETW