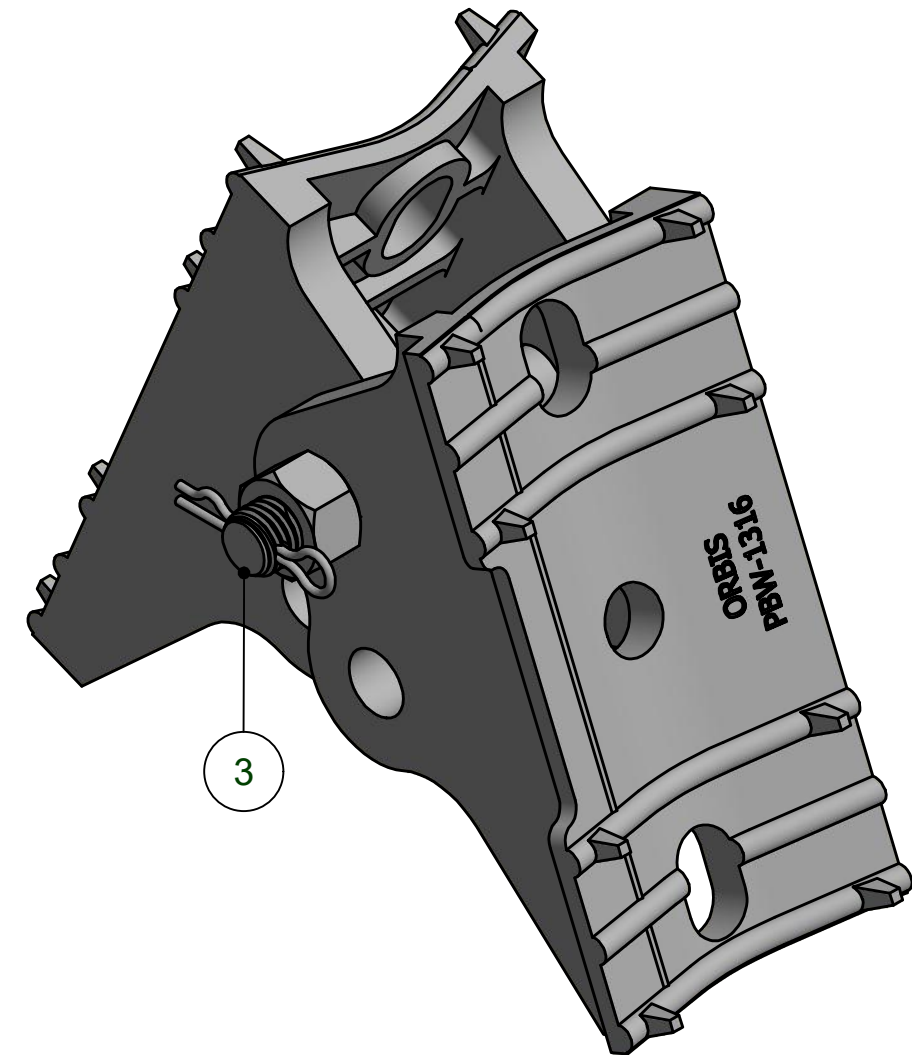
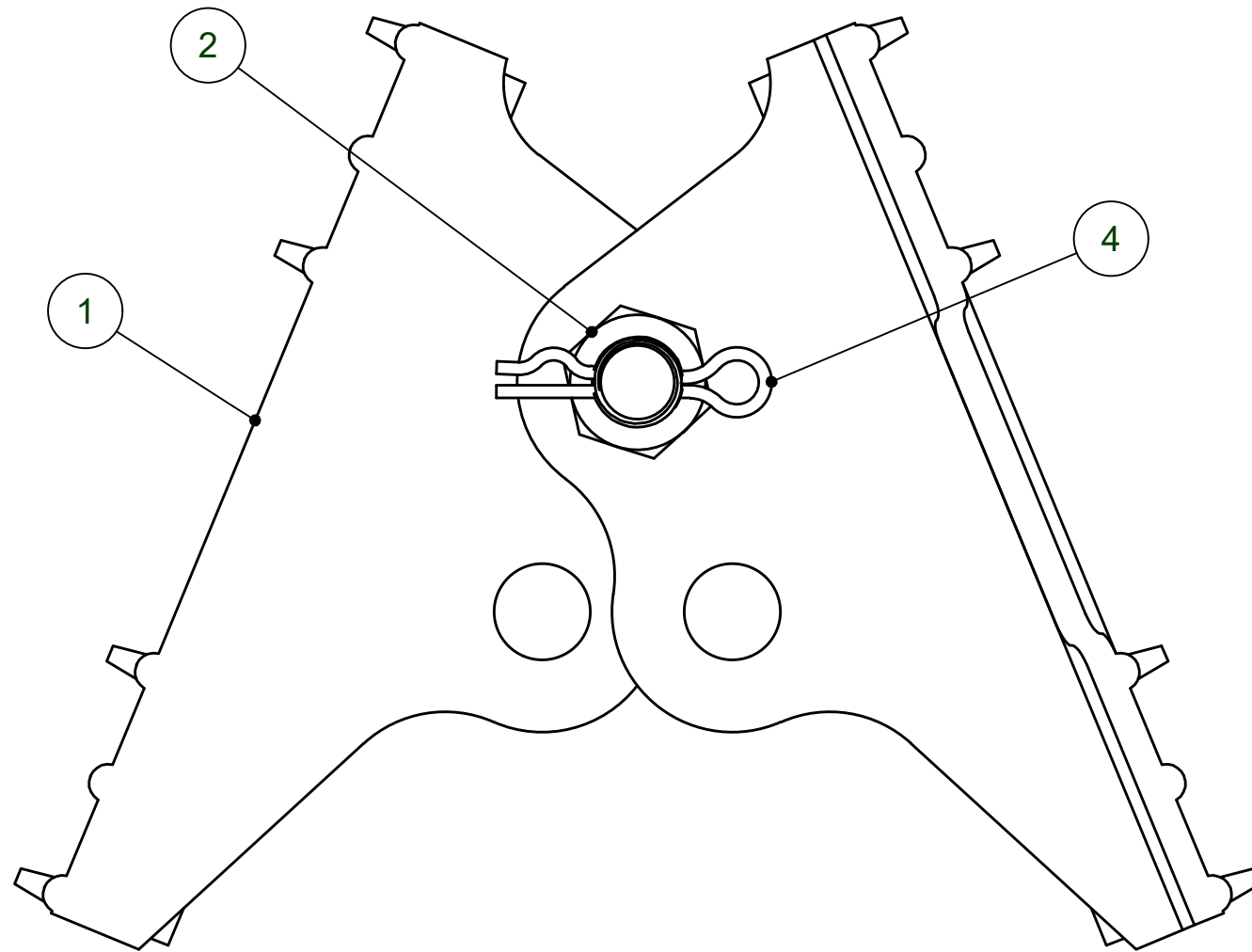


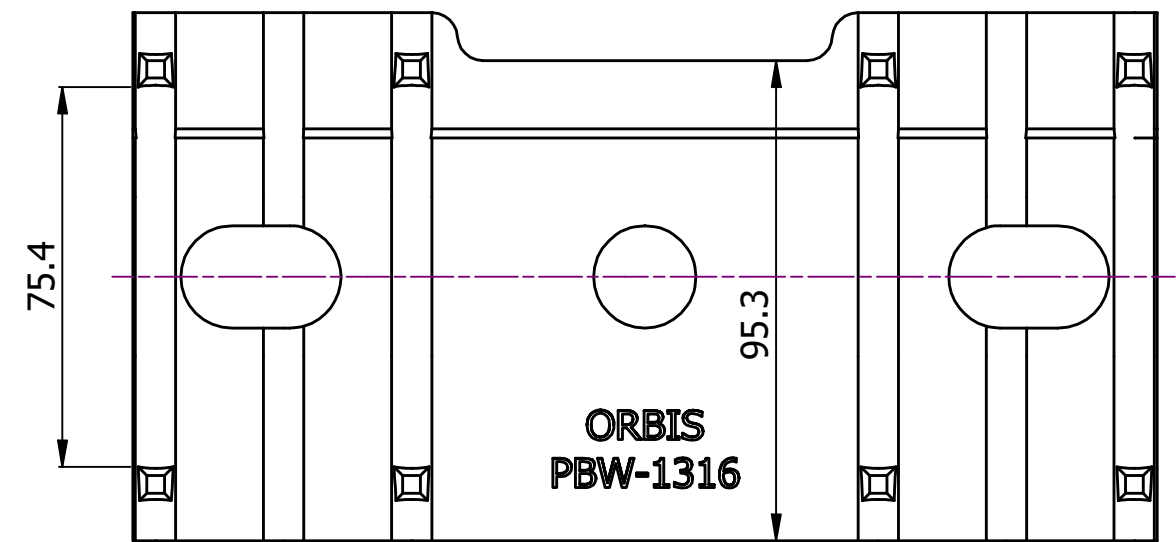
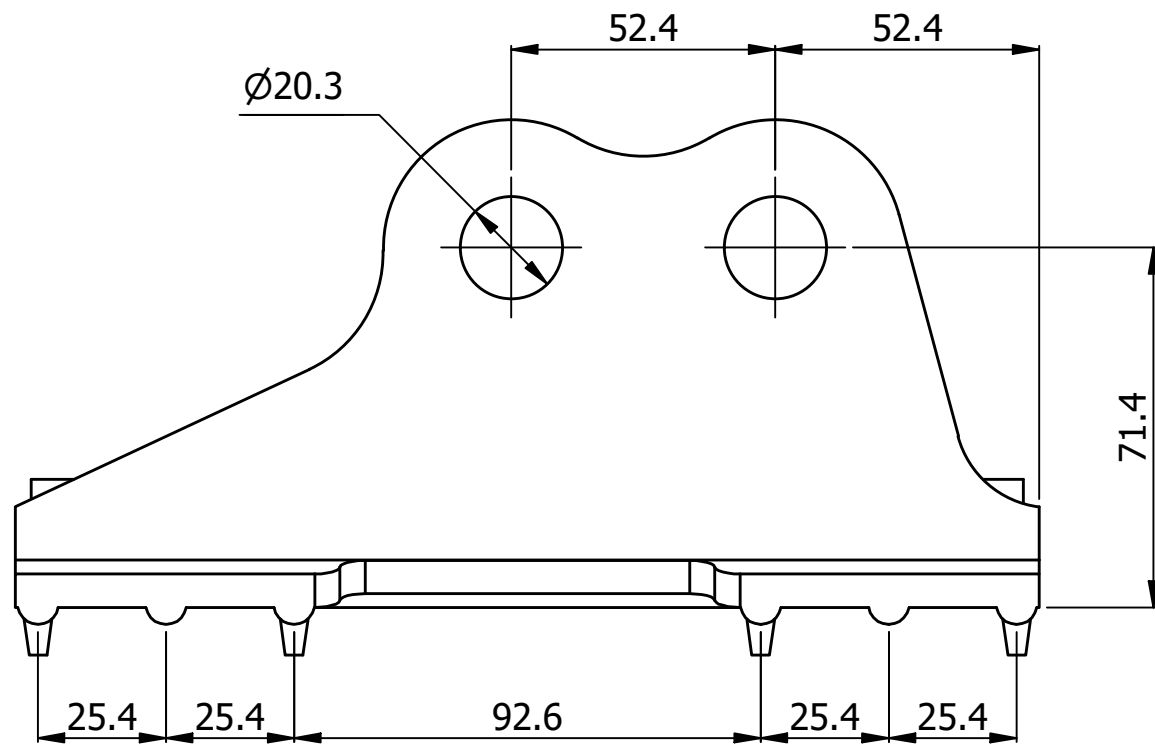
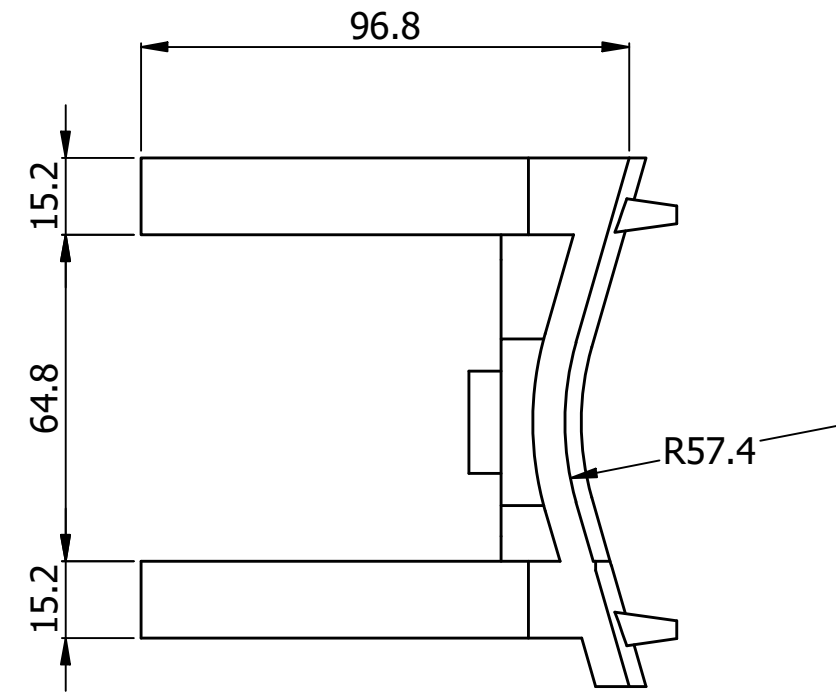
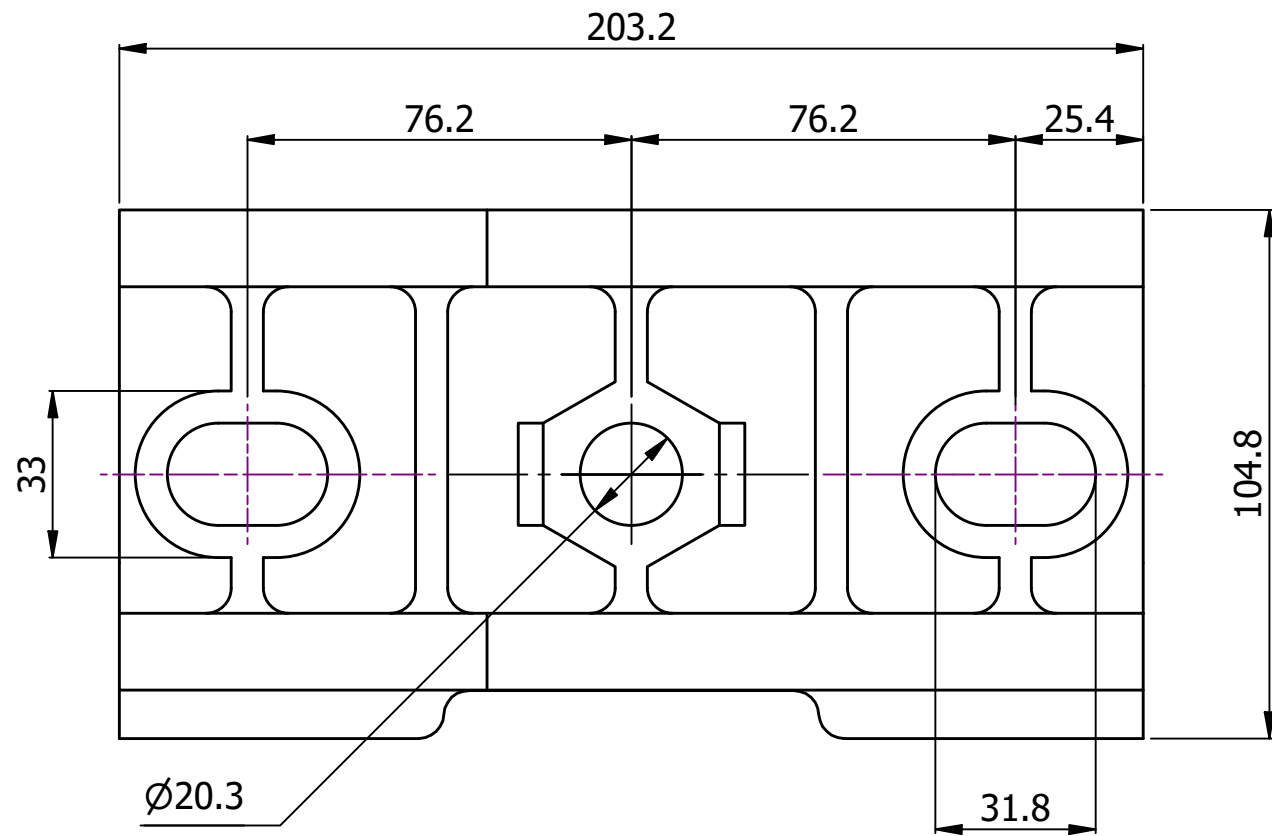
4	COTTER PIN	1
3	HEX BOLT	1
2	HEX NUT	1
1	PUSH BRACE WOOD POLE USE 3/4" HARDWARE	2
POS	DESCRIPTION	QTY



NOTE:

1. MATERIAL: CAST DUCTILE IRON AS PER ASTM A536
2. FINISH: HOT DIP GALVANIZED AS PER ASTM A153
3. TOLERANCE: $\pm 5\%$ FOR ALL DIMENSIONS
4. ALL DIMENSIONS ARE IN MM

THIS DRAWING CONTAINS CONFIDENTIAL INFORMATION AND IS THE EXCLUSIVE PROPERTY OF ORBIS MANUFACTURING	ORBIS			DRAWING NUMBER	
				PBW-1316	
				DESCRIPTION	
				PUSH BRACE WOOD POLE USE 3/4" HARDWARE	
DRAWN	MSM	DATE	02-08-2022		
APPROVED	DMM	DATE	09-08-2022		
REVISION	-				



VIEW A

NOTE:-

1. MATERIAL: CAST DUCTILE IRON AS PER ASTM A536
2. FINISH: HOT DIP GALVANIZED AS PER ASTM A153
3. TOLERANCE: $\pm 5\%$ FOR ALL DIMENSIONS
4. ALL DIMENSIONS ARE IN MM



THIS DRAWING CONTAINS CONFIDENTIAL INFORMATION AND IS THE EXCLUSIVE PROPERTY OF ORBIS MANUFACTURING



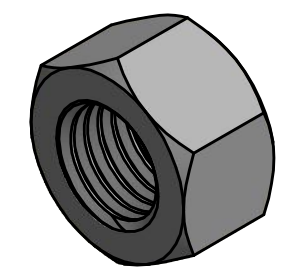
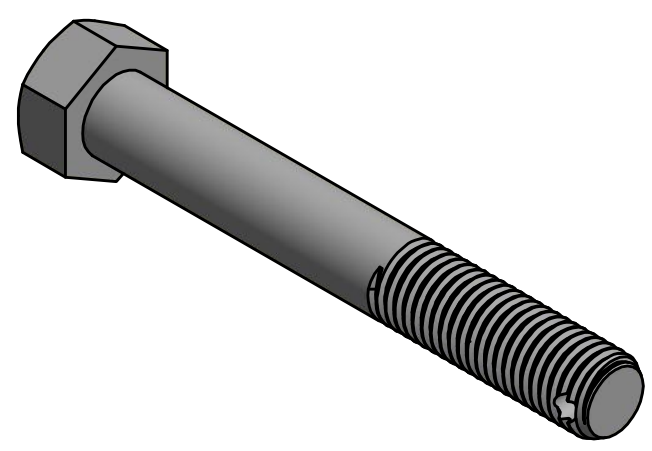
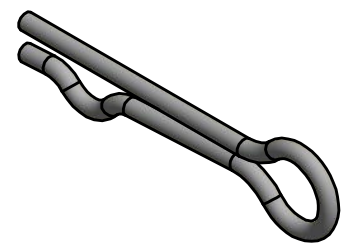
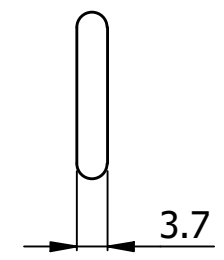
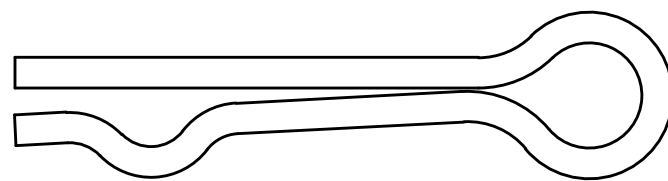
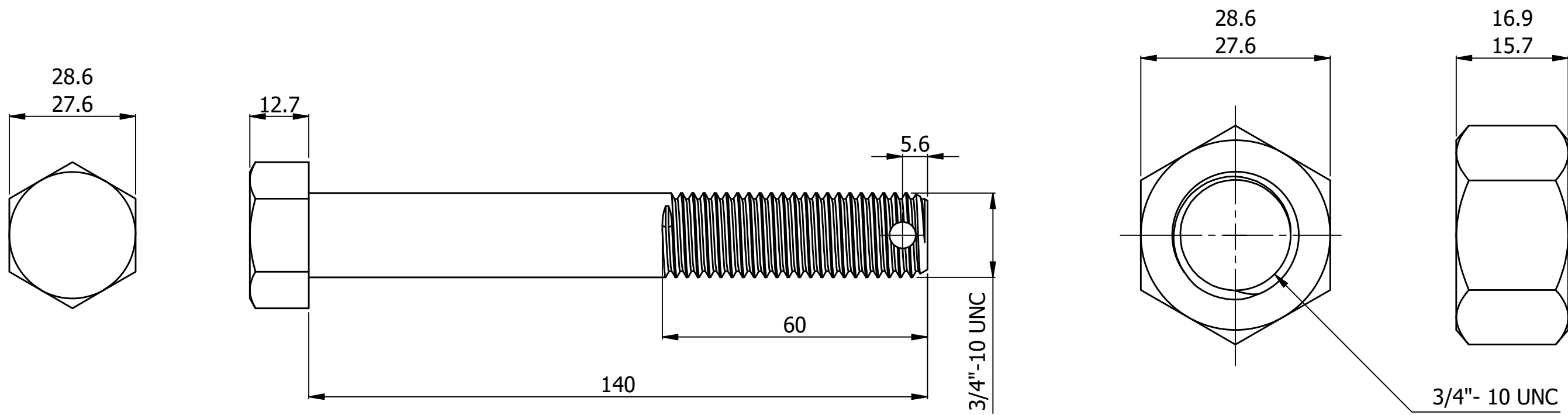
DRAWN	MSM	DATE	02-08-2022
APPROVED	DMM	DATE	09-08-2022
REVISION	-		

DRAWING NUMBER

PBW-1316

DESCRIPTION

PUSH BRACE WOOD POLE USE 3/4" HARDWARE



THIS DRAWING
CONTAINS
CONFIDENTIAL
INFORMATION
AND IS THE
EXCLUSIVE
PROPERTY OF
ORBIS
MANUFACTURING



DRAWN	MSM	DATE	02-08-2022
APPROVED	DMM	DATE	09-08-2022
REVISION	-		

DRAWING NUMBER
PBW-1316
DESCRIPTION
PUSH BRACE WOOD POLE USE 3/4" HARDWARE