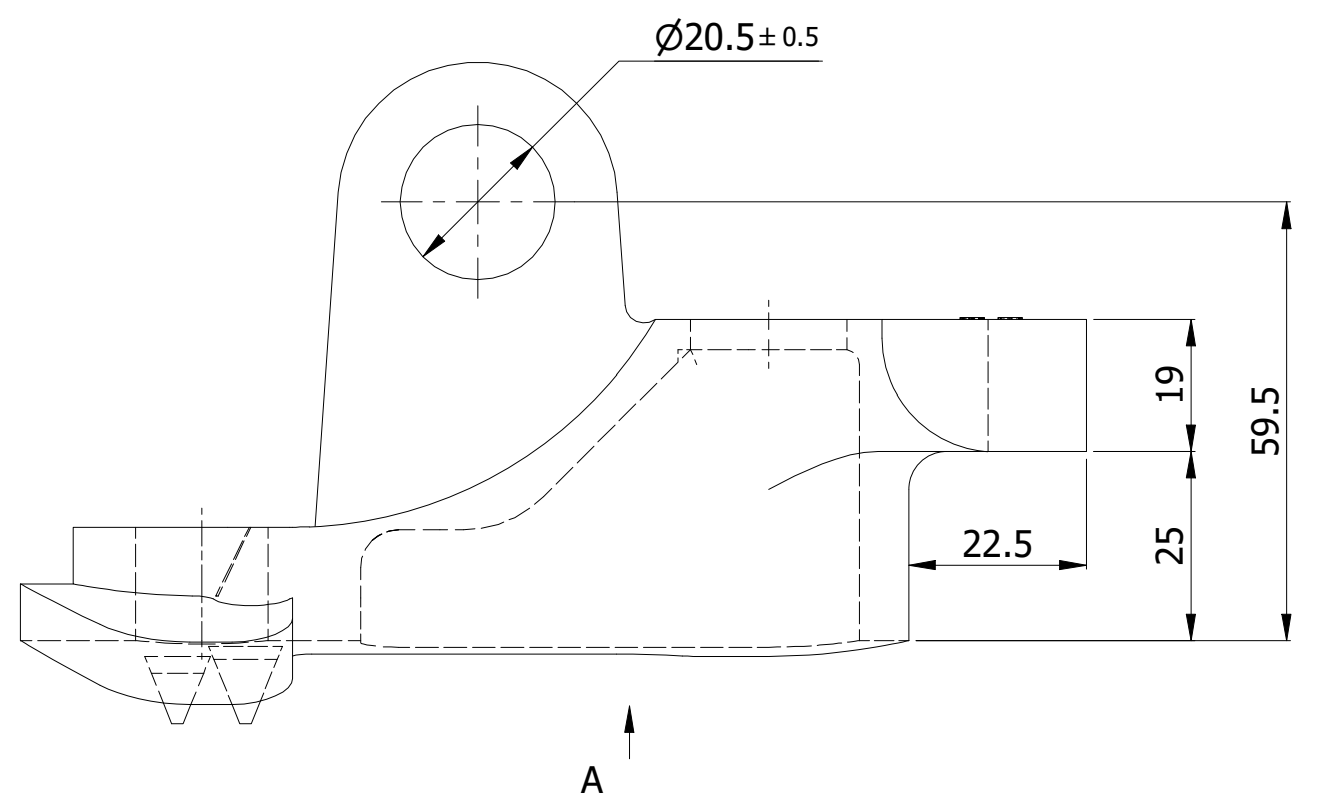
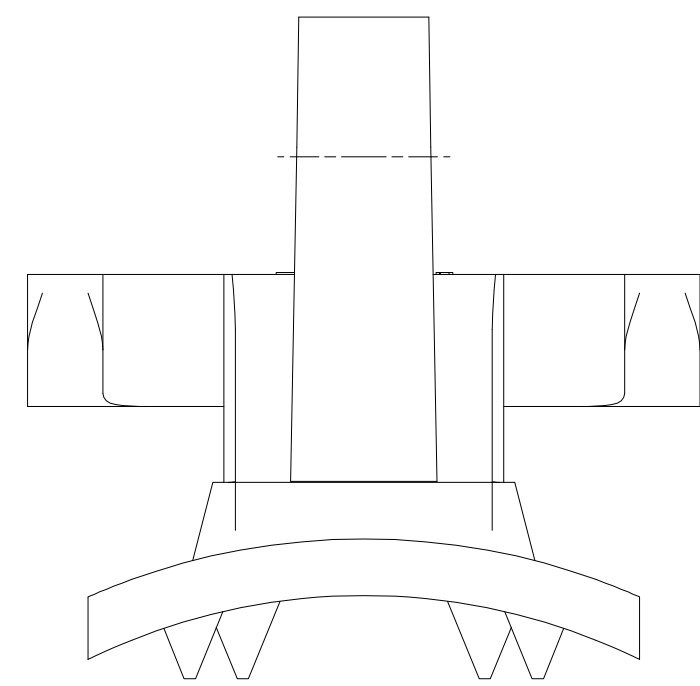
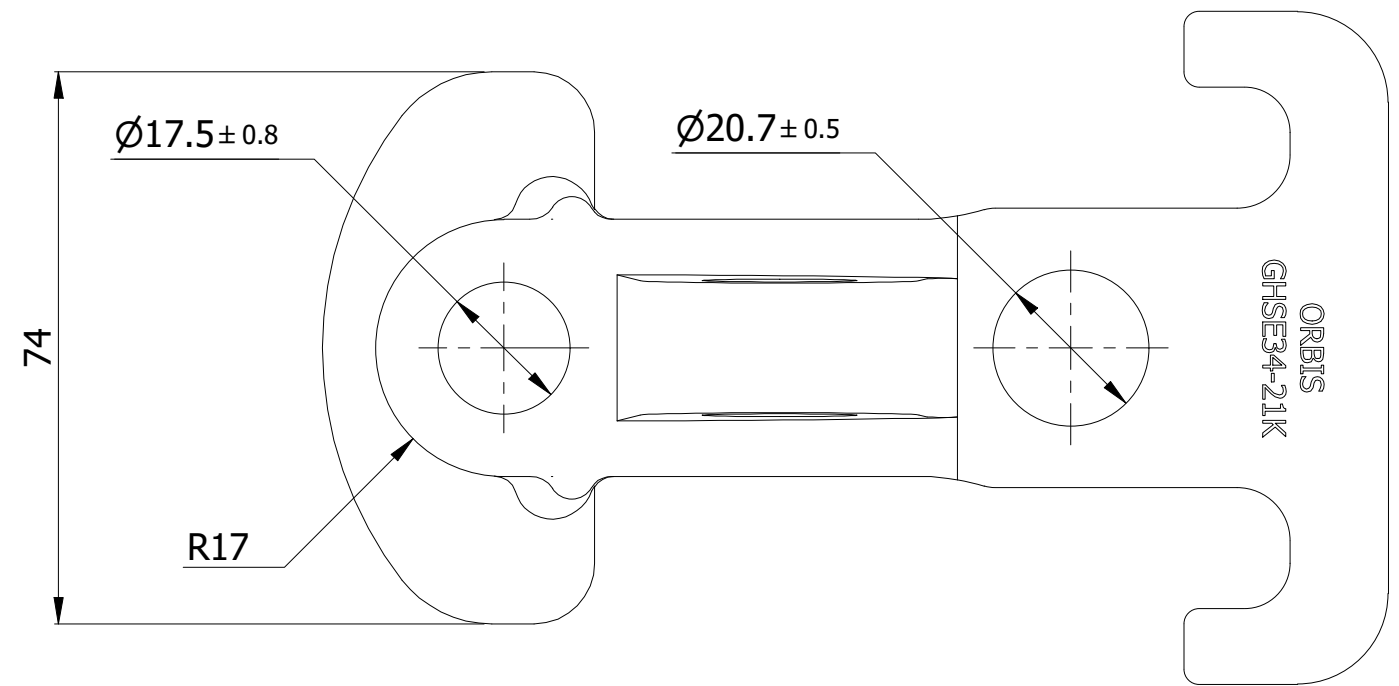


VIEW A



- NOTES:**
1. MATERIAL: DUCTILE IRON AS PER ASTM A536
 2. FINISH: HOT DIP GALVANIZED AS PER ASTM A153
 3. MINIMUM TENSILE STRENGTH: 90KN AT 45° LOAD
60KN AT 90° LOAD
 4. ALL MEASUREMENTS IN MM.

THIS DRAWING
CONTAINS
CONFIDENTIAL
INFORMATION
AND IS THE
EXCLUSIVE
PROPERTY OF
ORBIS
MANUFACTURING



DRAWN	MSM	DATE	05-11-2022
APPROVED	DMM	DATE	12-11-2022
REVISION	R1	DATE	10-16-2024

DRAWING NUMBER
GHSE34-21K
DESCRIPTION
GUY HOOK EYE WITH MOUNTING SPURS 13/16" TOP MNTG HOLE 11/16" BOTTOM MNTG HOLE 13/16" EYE 21K LBS