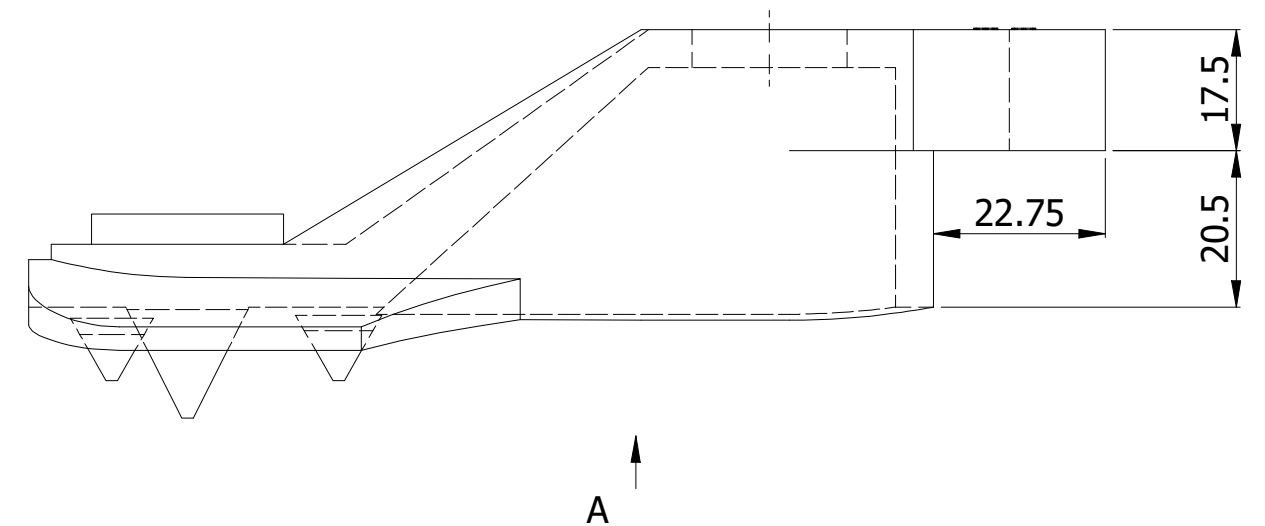
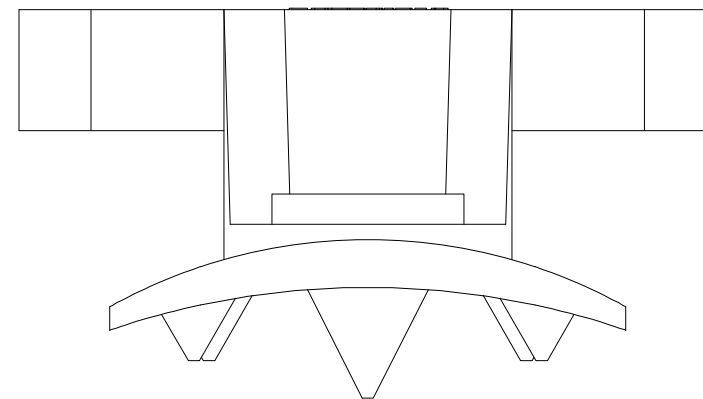
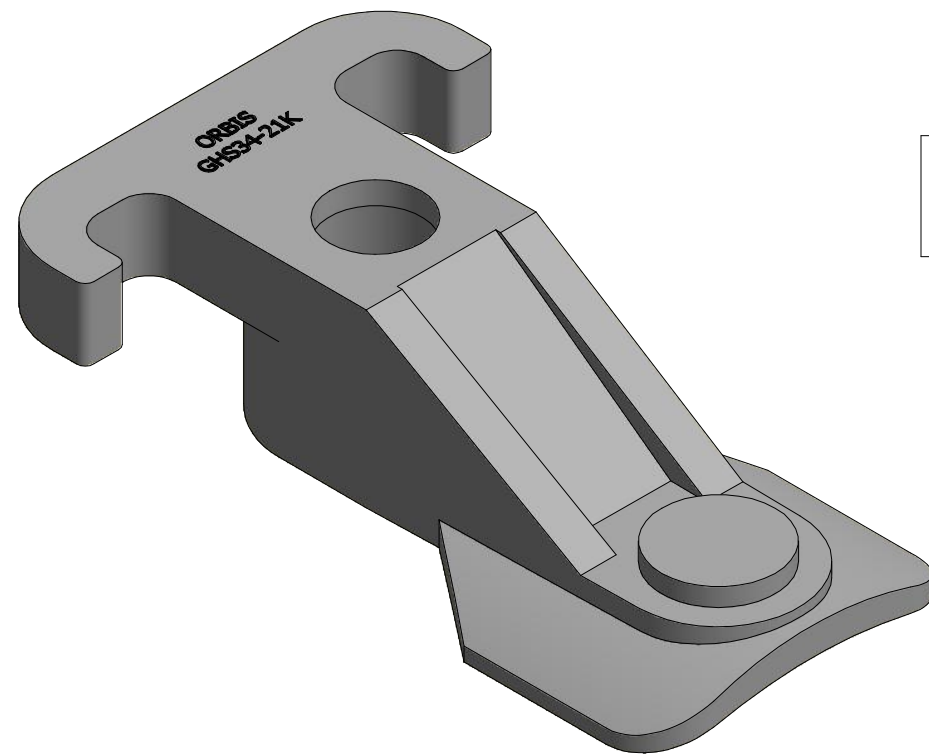
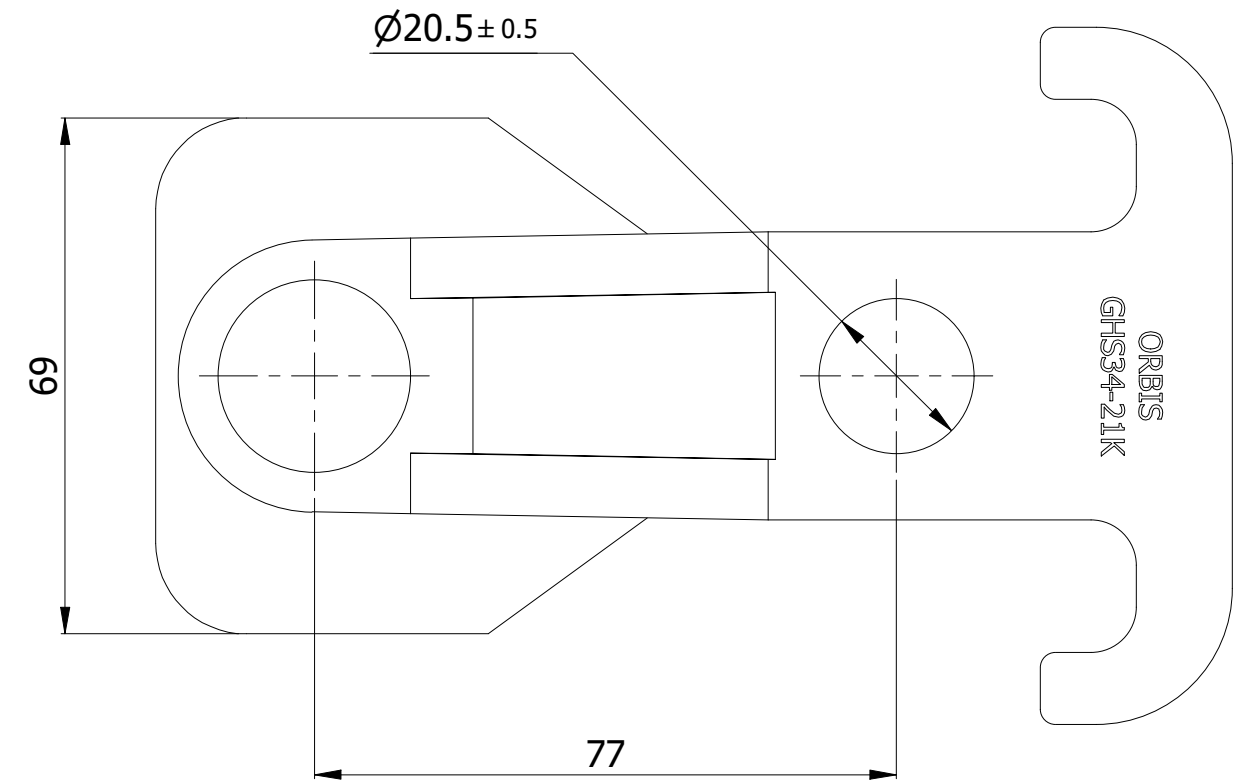


VIEW A



NOTES:

1. MATERIAL: DUCTILE IRON AS PER ASTM A536
2. FINISH: HOT DIP GALVANIZED AS PER ASTM A153
3. MINIMUM TENSILE STRENGTH: 90KN AT 45° LOAD
60KN AT 90° LOAD
4. ALL MEASUREMENTS IN MM.

THIS DRAWING
CONTAINS
CONFIDENTIAL
INFORMATION
AND IS THE
EXCLUSIVE
PROPERTY OF
ORBIS
MANUFACTURING



DRAWN	MSM	DATE	05-11-2022
APPROVED	DMM	DATE	12-11-2022
REVISION	-		

DRAWING NUMBER

GHS34-21K

DESCRIPTION

GUY HOOK WITH MOUNTING SPURS 13/16"
MOUNTING HOLE 21K LBS