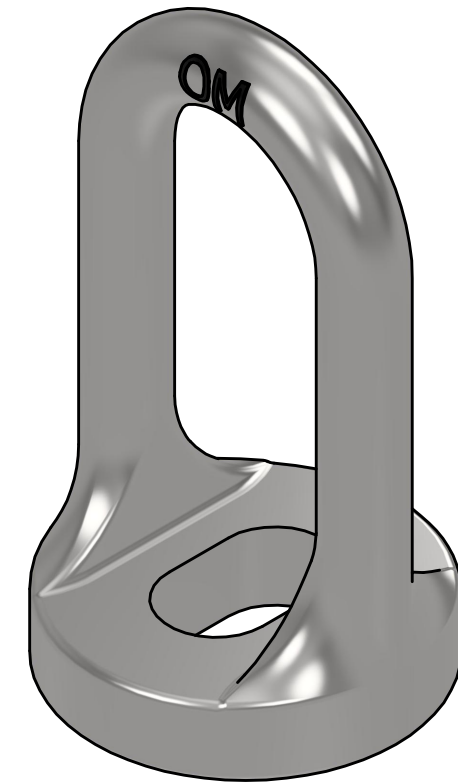
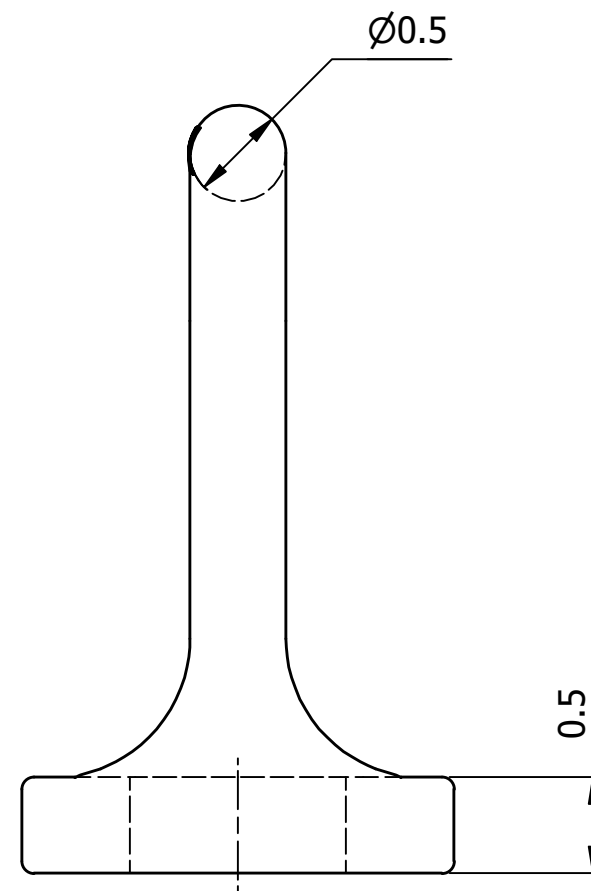
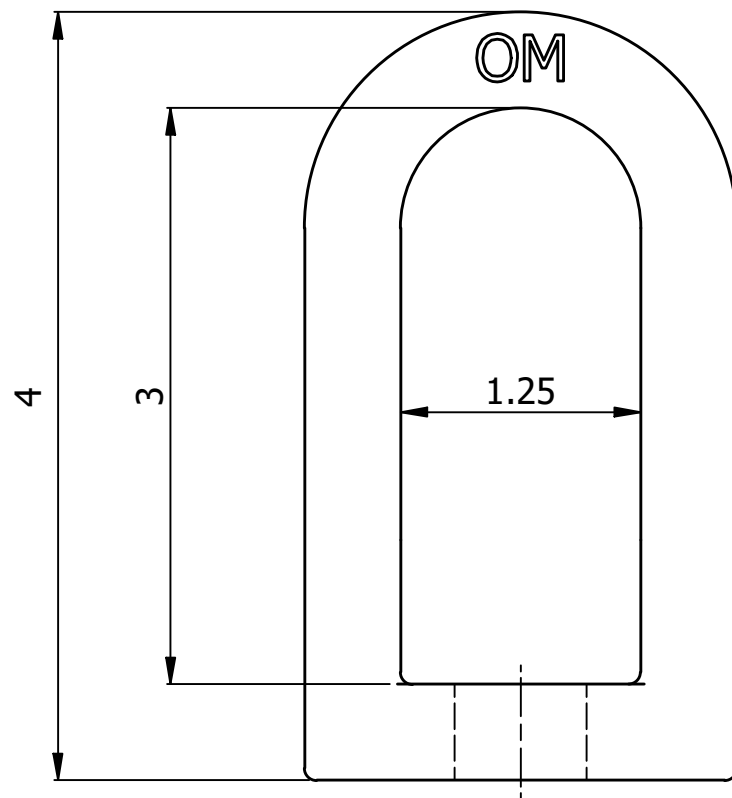
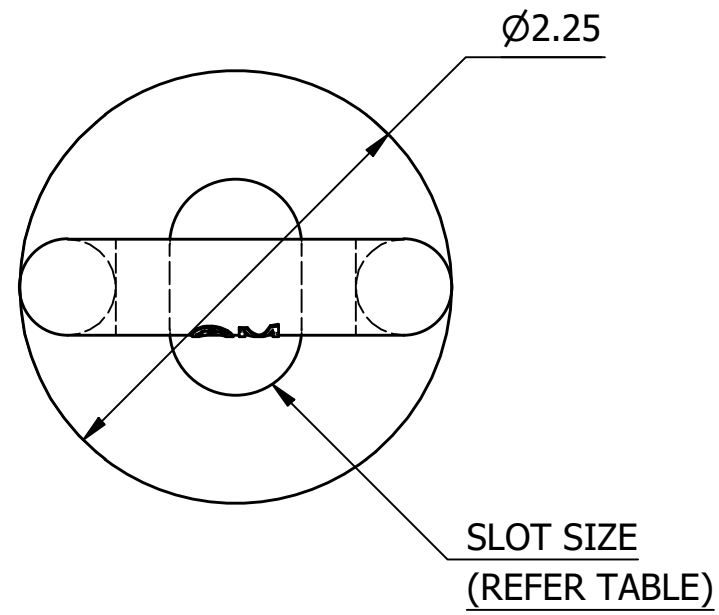


SR NO	PART NUMBER	DESCRIPTION	SLOT SIZE
1	ELD58A	EYELET D PROFILE 5/8" 14K LBS	1-1/8" x 11/16"
2	ELD34A	EYELET D PROFILE 3/4" 22K LBS	1-1/8" x 13/16"



NOTES:

1. MATERIAL: DROP FORGED STEEL
2. FINISH: GALVANIZED AS PER ASTM A153
3. ALL MEASUREMENTS ARE IN INCHES UNLESS OTHERWISE SPECIFIED.

THIS DRAWING
CONTAINS
CONFIDENTIAL
INFORMATION
AND IS THE
EXCLUSIVE
PROPERTY OF
ORBIS
MANUFACTURING

ORBIS

DRAWN	MSM	DATE	18-10-2022
APPROVED	DMM	DATE	19-10-2022
REVISION			

DRAWING NUMBER

ELDxxA

DESCRIPTION

EYELET D PROFILE