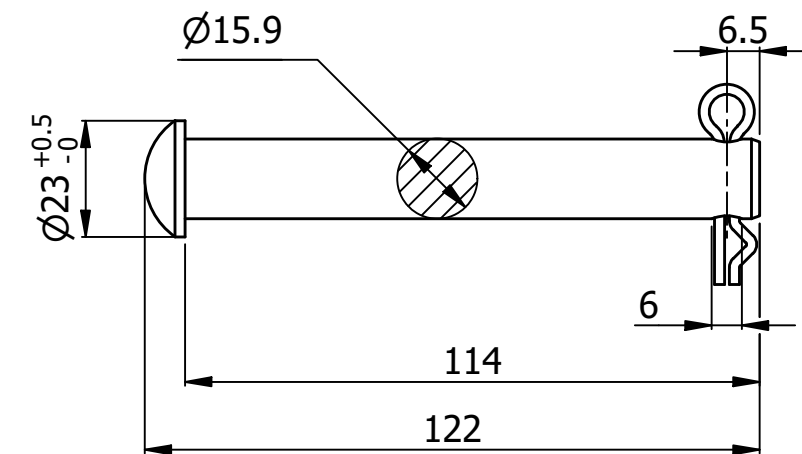


SECTION A-A



NOTES:-

1. D-IRON: Q235, THICK 3mm
2. PIN: Q235, SIZE Ø15.8x114mm
3. COTTER PIN: 304 SS
4. FINISH: HOT DIP GALVANIZED AS PER ASTM A 153
5. LOAD: P1-18 KN, P2-3.5 KN

THIS DRAWING
CONTAINS
CONFIDENTIAL
INFORMATION
AND IS THE
EXCLUSIVE
PROPERTY OF
ORBIS
MANUFACTURING



DRAWN	MSM	DATE	28-07-2022
APPROVED	DMM	DATE	04-08-2022
REVISION	-		

DRAWING NUMBER

CLN532-1316

DESCRIPTION

CLEVIS NEUTRAL 13/16" MOUNTING HOLE
FOR 53-2 INSULATOR