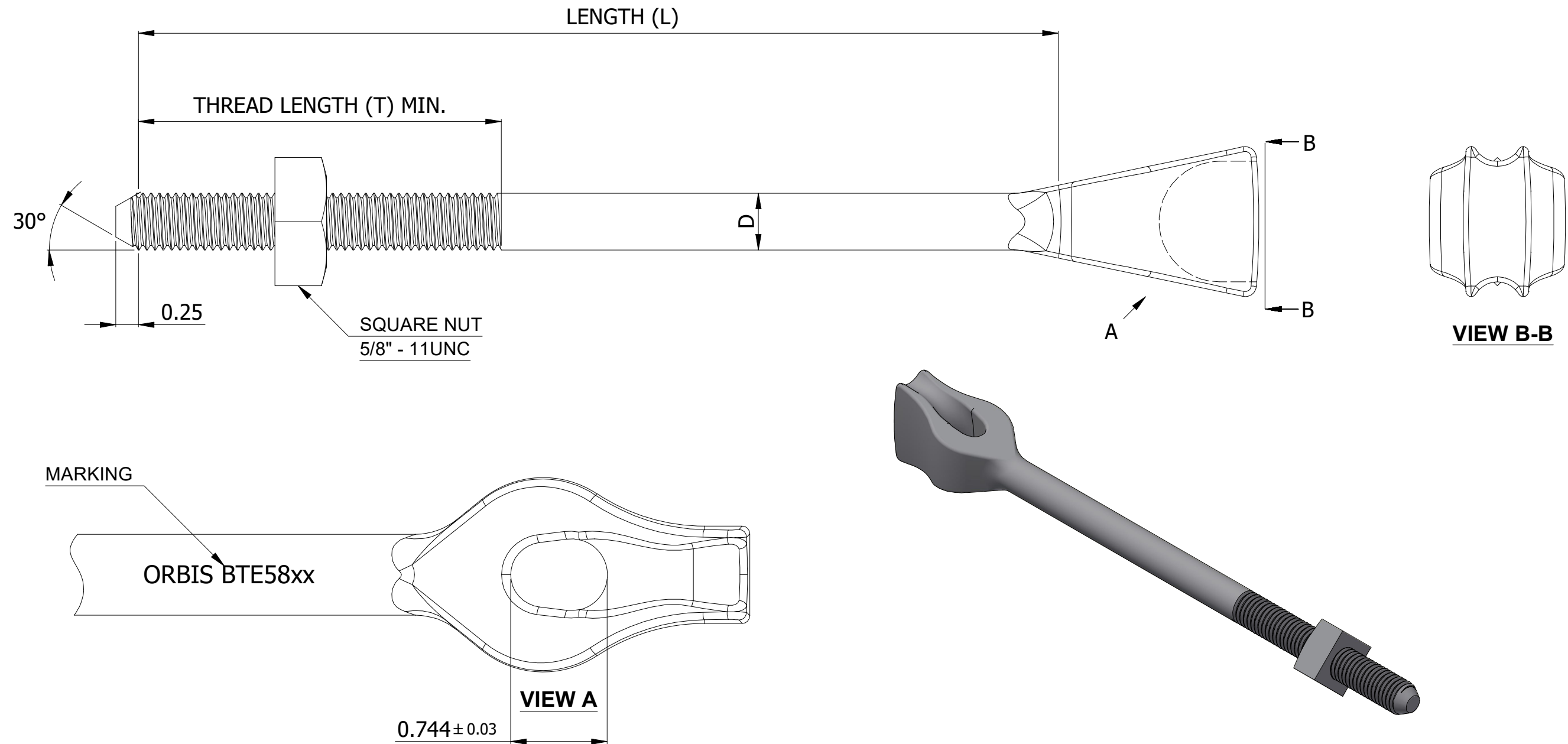


SR NO	PART NUMBER	DESCRIPTION	L (INCH)	T (INCH)	D (INCH)
1	BTE5806	BOLT THIMBLE EYE 5/8" x 6"	6	4	5/8
2	BTE5808	BOLT THIMBLE EYE 5/8" x 8"	8	4	5/8
3	BTE5810	BOLT THIMBLE EYE 5/8" x 10"	10	4	5/8
4	BTE5812	BOLT THIMBLE EYE 5/8" x 12"	12	6	5/8
5	BTE5814	BOLT THIMBLE EYE 5/8" x 14"	14	6	5/8
6	BTE5816	BOLT THIMBLE EYE 5/8" x 16"	16	6	5/8
7	BTE5818	BOLT THIMBLE EYE 5/8" x 18"	18	6	5/8
8	BTE5820	BOLT THIMBLE EYE 5/8" x 20"	20	6	5/8



NOTES:

1. MATERIAL: STEEL
2. MINIMUM TENSILE STRENGTH: 14,100 LBS.
3. THREADS: 5/8" - 11 UNC
4. FINISH: HOT DIP GALVANIZED AS PER ASTM A153

THIS DRAWING  
CONTAINS  
CONFIDENTIAL  
INFORMATION  
AND IS THE  
EXCLUSIVE  
PROPERTY OF  
ORBIS  
MANUFACTURING

**ORBIS**

DRAWN	MSM	DATE	25-10-2024
APPROVED	DMM	DATE	31-10-2024
REVISION	-		

**DRAWING NUMBER**

BTE58xx

**DESCRIPTION**

5/8" THIMBLE EYE BOLT