

**NOTES:**

**MATERIAL:**

- 1) BUTTON HEAD - H62 BRASS, SILVER COATED.
- 2) PIN - 304 S.S.
- 3) RING - H62 BRASS.
- 4) FUSE TUBE - COPPER.
- 5) CANTILEVER BODY - H62 BRASS, SILVER COATED.

THIS DRAWING  
CONTAINS  
CONFIDENTIAL  
INFORMATION  
AND IS THE  
EXCLUSIVE  
PROPERTY OF  
ORBIS  
MANUFACTURING



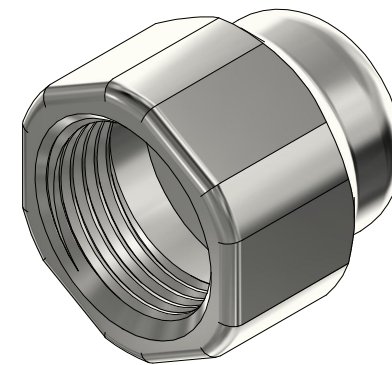
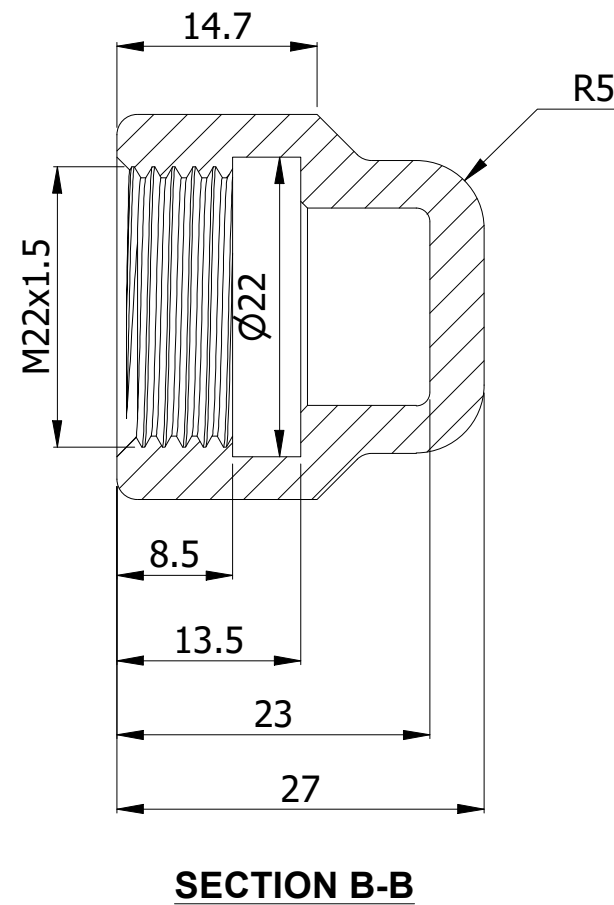
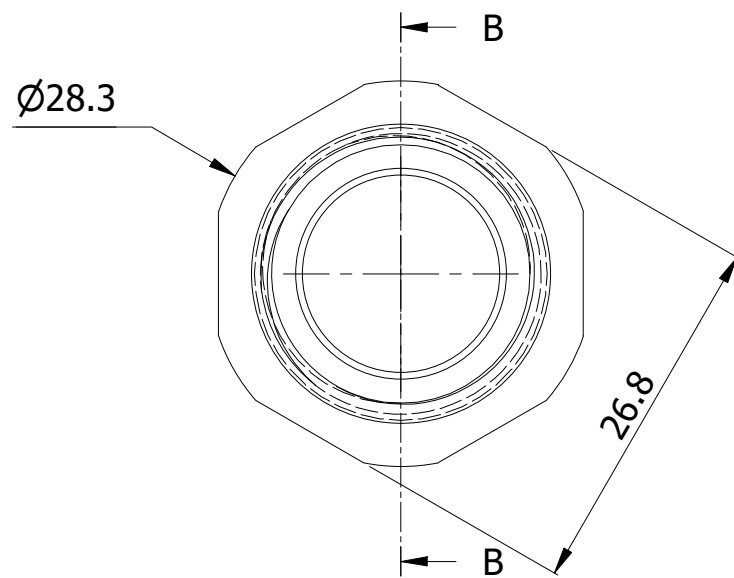
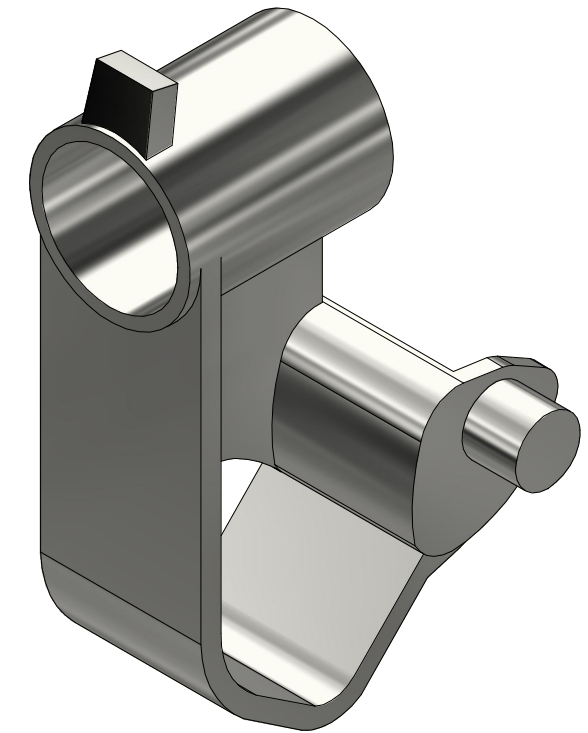
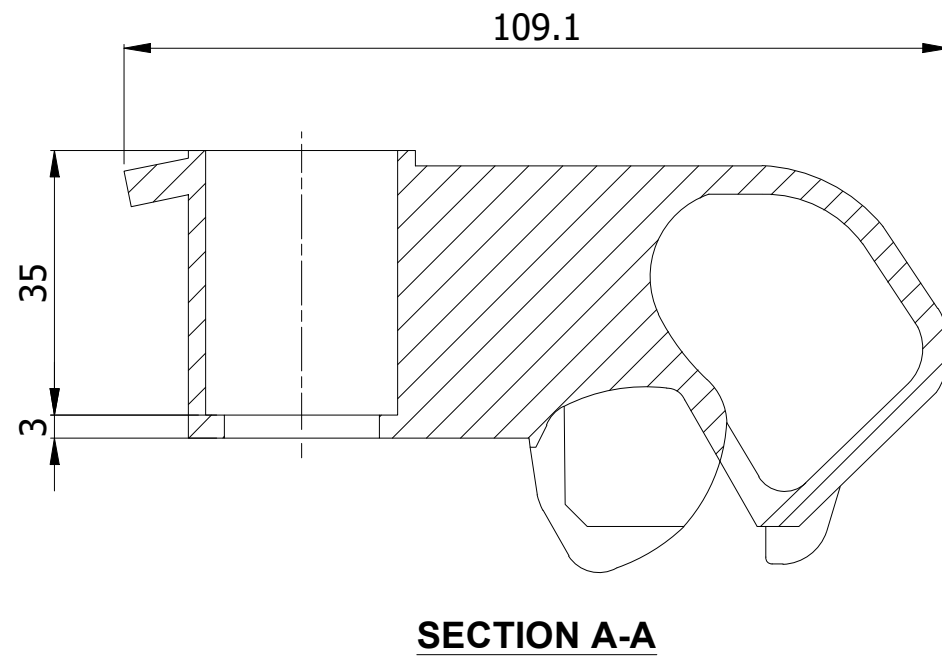
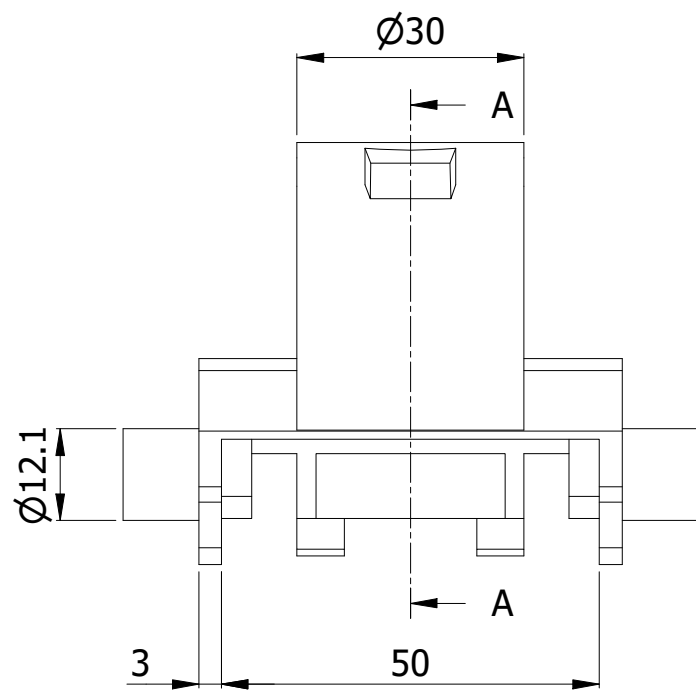
DRAWN	MSM	DATE	30-09-2024
APPROVED	DMM	DATE	05-10-2024
REVISION	R1	DATE	15-01-2025

**DRAWING NUMBER**

BS2K3A-15B

**DESCRIPTION**

BLADE SOLID 27.6kV 300A FOR  
125/150KV-BIL CUTOUTS



- NOTE:
1. BUTTON HEAD: H62 BRASS
  2. PLATING: SILVER PLATING
  3. THERE ARE NO SCRATCHES & DEFORMATION
  4. EDGES NOT SHOWN IN DRAWING SHALL BE R0.3-R0.5

THIS DRAWING  
CONTAINS  
CONFIDENTIAL  
INFORMATION  
AND IS THE  
EXCLUSIVE  
PROPERTY OF  
ORBIS  
MANUFACTURING

**ORBIS**

DRAWN	MSM	DATE	30-09-2024
APPROVED	DMM	DATE	05-10-2024
REVISION	R1	DATE	15-01-2025

**DRAWING NUMBER**

BS2K3A-15B

**DESCRIPTION**

BLADE SOLID 27.6kV 300A FOR  
125/150kV-BIL CUTOUTS