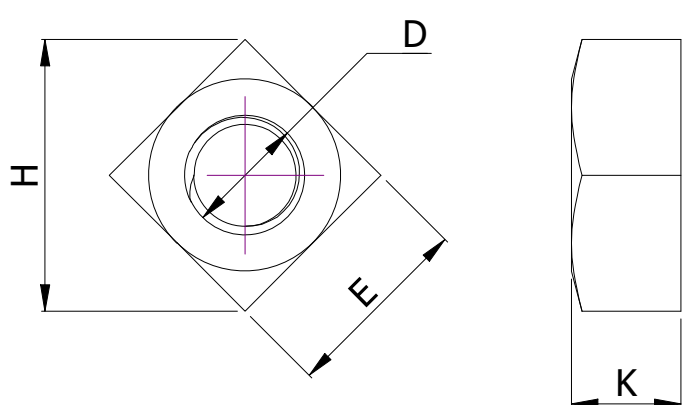
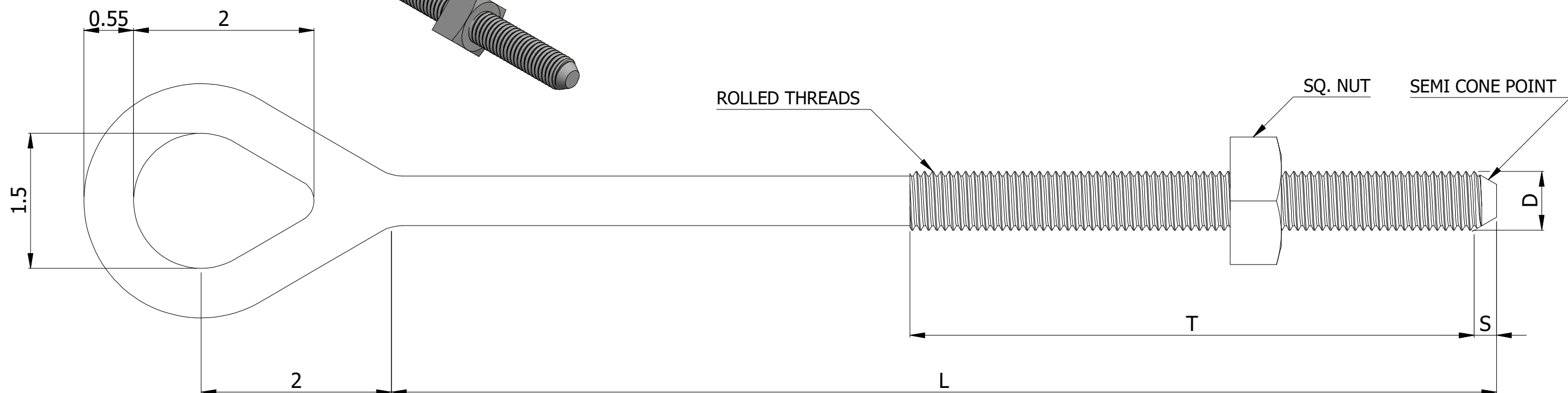


SR NO	PART NUMBER	DESCRIPTION	L (INCH)	D (INCH)	T (INCH)	S (INCH)	WEIGHT (LBS)
1	BOE5806	BOLT OVAL EYE 5/8" X 6" HDG SQUARE NUT	6	5/8	4	1/4	1.3
2	BOE5808	BOLT OVAL EYE 5/8" X 8" HDG SQUARE NUT	8	5/8	4	1/4	1.4
3	BOE5810	BOLT OVAL EYE 5/8" X 10" HDG SQUARE NUT	10	5/8	4	1/4	1.5
4	BOE5812	BOLT OVAL EYE 5/8" X 12" HDG SQUARE NUT	12	5/8	6	1/4	1.7
5	BOE5814	BOLT OVAL EYE 5/8" X 14" HDG SQUARE NUT	14	5/8	6	1/4	1.9
6	BOE5816	BOLT OVAL EYE 5/8" X 16" HDG SQUARE NUT	16	5/8	6	1/4	2
7	BOE5818	BOLT OVAL EYE 5/8" X 18" HDG SQUARE NUT	18	5/8	6	1/4	2.2
8	BOE5820	BOLT OVAL EYE 5/8" X 20" HDG SQUARE NUT	20	5/8	6	1/4	2.4
9	BOE5822	BOLT OVAL EYE 5/8" X 22" HDG SQUARE NUT	22	5/8	6	1/4	2.6
10	BOE5824	BOLT OVAL EYE 5/8" X 24" HDG SQUARE NUT	24	5/8	6	1/4	2.8
11	BOE5826	BOLT OVAL EYE 5/8" X 26" HDG SQUARE NUT	26	5/8	6	1/4	3



**SQUARE NUT DIMENSIONS**

NUT SIZE	- NOM.	E MIN.	- MAX.	H MIN.	H MAX.	- NOM.	K MIN.	- MAX.
5/8	1"	0.969"	1"	1.3"	1.414"	35/64"	0.525"	0.569"

NOTES:  
 MATERIAL: STEEL.  
 MINIMUM TENSILE STRENGTH : 14,100 LBS.  
 DIMENSIONS : BOLT - ANSI C 135.1,  
                   SQ. NUT - ANSI B.18.2.2 & ANSI C 135.1  
 THREADS : 5/8" - 11 UNC CLASS 2A.  
 FINISH : HOT DIP GALVANIZED AS PER ASTM A153.

THIS DRAWING CONTAINS CONFIDENTIAL INFORMATION AND IS THE EXCLUSIVE PROPERTY OF ORBIS MANUFACTURING

<b>ORBIS</b>			
DRAWN	MSM	DATE	26-10-2022
APPROVED	DMM	DATE	02-11-2022
REVISION	-		

<b>DRAWING NUMBER</b>
BOE58XX
<b>DESCRIPTION</b>
BOLT OVAL EYE 5/8" X L" HDG SQUARE NUT