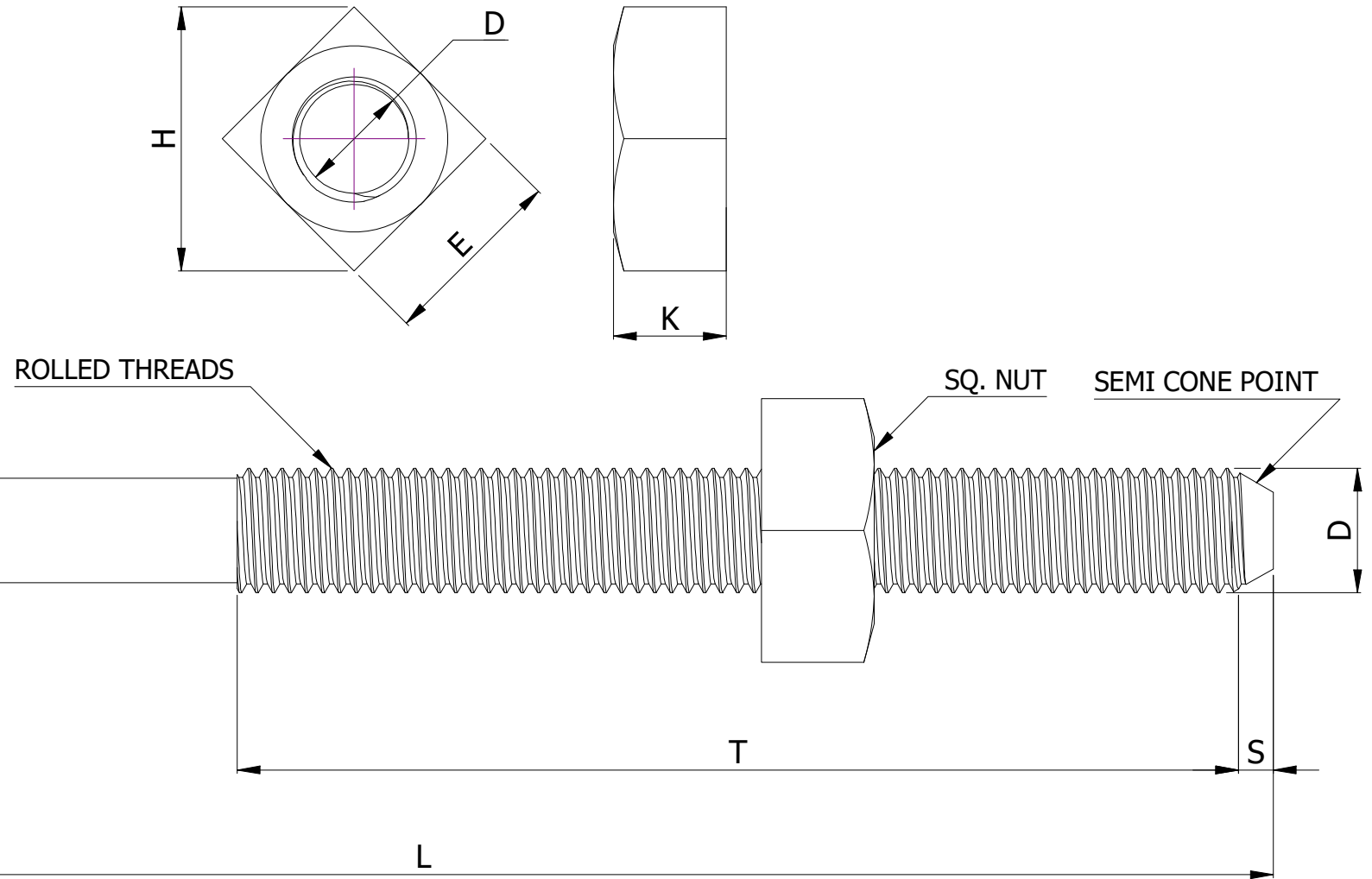
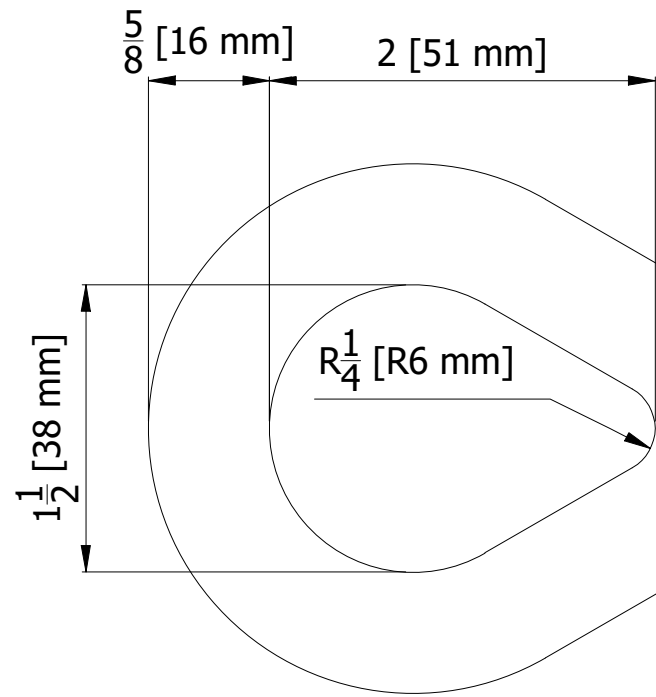
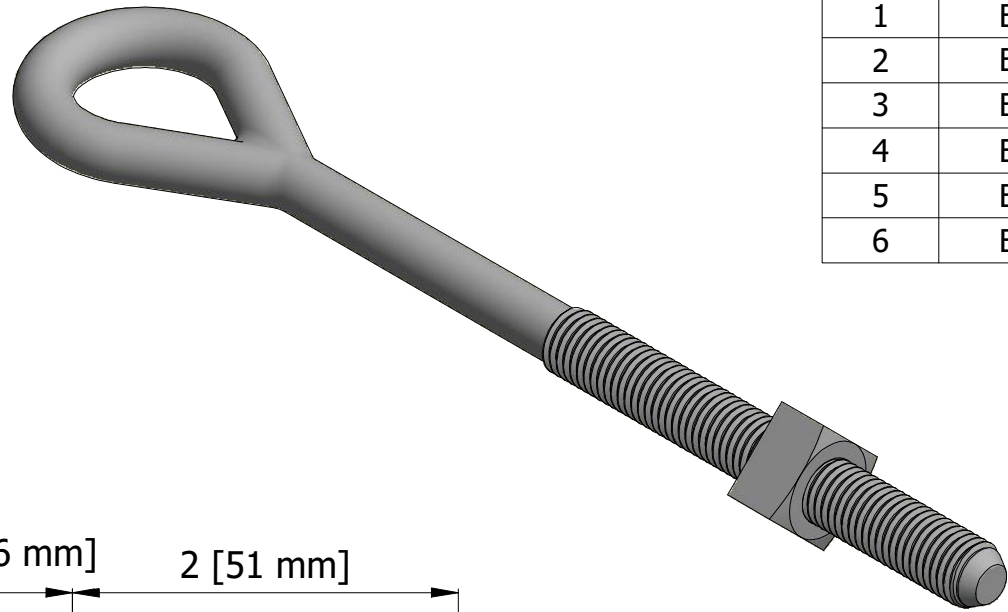


SR NO	PART NUMBER	DESCRIPTION	L (INCH)	D (INCH)	T (INCH)	S (INCH)	WEIGHT (LBS)
1	BOE3408	BOLT OVAL EYE 3/4" X 8" HDG SQUARE NUT	8	3/4	4	1/4	1.82
2	BOE3410	BOLT OVAL EYE 3/4" X 10" HDG SQUARE NUT	10	3/4	6	1/4	2.06
3	BOE3412	BOLT OVAL EYE 3/4" X 12" HDG SQUARE NUT	12	3/4	6	1/4	2.28
4	BOE3414	BOLT OVAL EYE 3/4" X 14" HDG SQUARE NUT	14	3/4	6	1/4	2.48
5	BOE3416	BOLT OVAL EYE 3/4" X 16" HDG SQUARE NUT	16	3/4	6	1/4	2.68
6	BOE3418	BOLT OVAL EYE 3/4" X 18" HDG SQUARE NUT	18	3/4	6	1/4	2.96



SQUARE NUT DIMENSIONS

NUT SIZE	- NOM.	E MIN.	- MAX.	H MIN.	H MAX.	- NOM.	K MIN.	- MAX.
3/4	1-1/8"	1.088"	1.125"	1.464"	1.591"	21/32"	0.632"	0.680"

NOTE:-
MATERIAL:- ANSI C135.1
ULTIMATE TENSILE STRENGTH:- 20,000 LBS
DIMENSIONS :- BOLT - ANSI C 135.1,
SQ. NUT - ANSI B.18.2.2 & ANSI C 135.1
THREADS :- UNC CLASS-2, ANSI B.1.1 & CONFORM TO ANSI C135.1
FINISH : - HOT DIP GALVANIZED TO ASTM A153.

THIS DRAWING CONTAINS CONFIDENTIAL INFORMATION AND IS THE EXCLUSIVE PROPERTY OF ORBIS MANUFACTURING



DRAWN	MSM	DATE	25-07-2022
APPROVED	DMM	DATE	01-08-2022
REVISION	-		

DRAWING NUMBER	BOE34XX
DESCRIPTION	BOLT OVAL EYE 3/4" X L" HDG SQUARE NUT