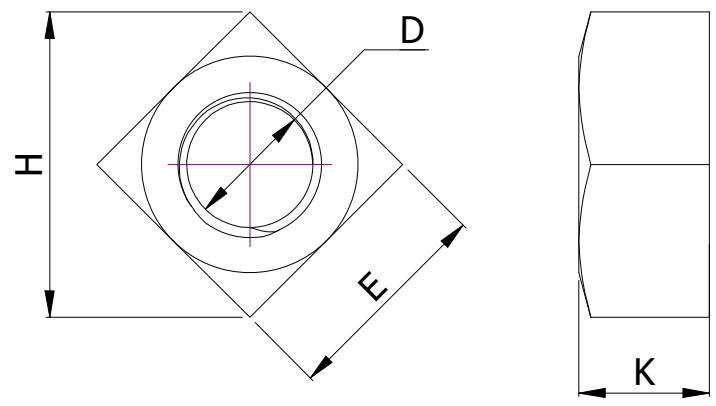
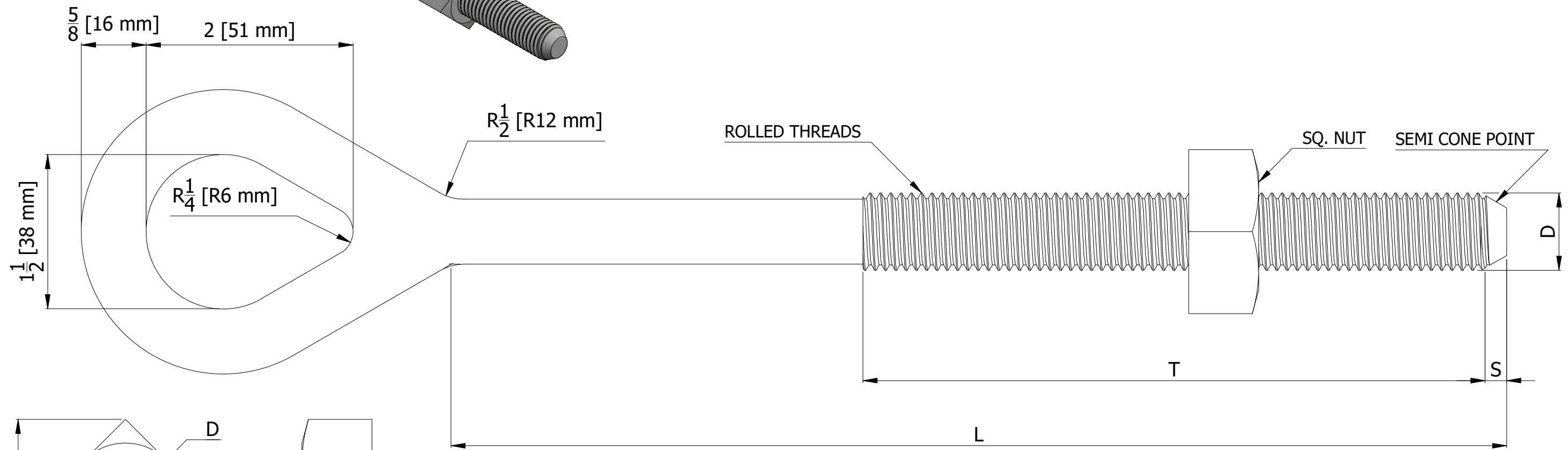


SR NO	PART NUMBER	DESCRIPTION	L (INCH)	D (INCH)	T (INCH)	S (INCH)	WEIGHT (LBS)
1	BOE3408	BOLT OVAL EYE 3/4" X 8" HDG SQUARE NUT	8	3/4	6	1/4	1.82
2	BOE3410	BOLT OVAL EYE 3/4" X 10" HDG SQUARE NUT	10	3/4	6	1/4	2.06
3	BOE3412	BOLT OVAL EYE 3/4" X 12" HDG SQUARE NUT	12	3/4	6	1/4	2.28
4	BOE3414	BOLT OVAL EYE 3/4" X 14" HDG SQUARE NUT	14	3/4	6	1/4	2.48
5	BOE3416	BOLT OVAL EYE 3/4" X 16" HDG SQUARE NUT	16	3/4	6	1/4	2.68
6	BOE3418	BOLT OVAL EYE 3/4" X 18" HDG SQUARE NUT	18	3/4	6	1/4	2.96
7	BOE3420	BOLT OVAL EYE 3/4" X 20" HDG SQUARE NUT	20	3/4	6	1/4	3.18
8	BOE3422	BOLT OVAL EYE 3/4" X 22" HDG SQUARE NUT	22	3/4	6	1/4	3.37
9	BOE3424	BOLT OVAL EYE 3/4" X 24" HDG SQUARE NUT	24	3/4	6	1/4	3.6
10	BOE3426	BOLT OVAL EYE 3/4" X 26" HDG SQUARE NUT	26	3/4	6	1/4	3.84



SQUARE NUT DIMENSIONS

NUT	-	E	-	H	H	-	K	-
SIZE	NOM.	MIN.	MAX.	MIN.	MAX.	NOM.	MIN.	MAX.
3/4	1-1/8"	1.088"	1.125"	1.464"	1.591"	21/32"	0.632"	0.680"

NOTES:
 MATERIAL: STEEL.
 MINIMUM TENSILE STRENGTH: 20,000 LBS.
 DIMENSIONS : BOLT - ANSI C 135.1,
 SQ. NUT - ANSI B.18.2.2 & ANSI C 135.1
 THREADS : 3/4" - 10 UNC CLASS-2A
 FINISH : HOT DIP GALVANIZED TO ASTM A153.

THIS DRAWING CONTAINS CONFIDENTIAL INFORMATION AND IS THE EXCLUSIVE PROPERTY OF ORBIS MANUFACTURING

ORBIS			
DRAWN	MSM	DATE	25-07-2022
APPROVED	DMM	DATE	01-08-2022
REVISION	-		

DRAWING NUMBER
BOE34XX
DESCRIPTION
BOLT OVAL EYE 3/4" X L" HDG SQUARE NUT