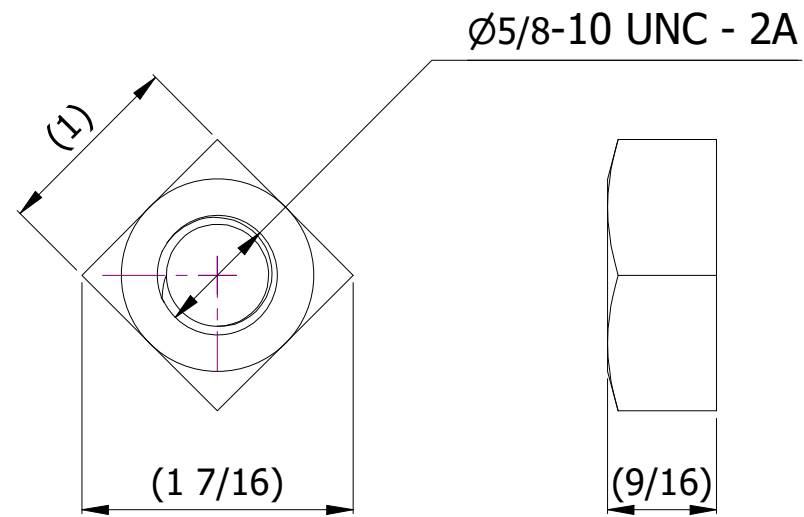
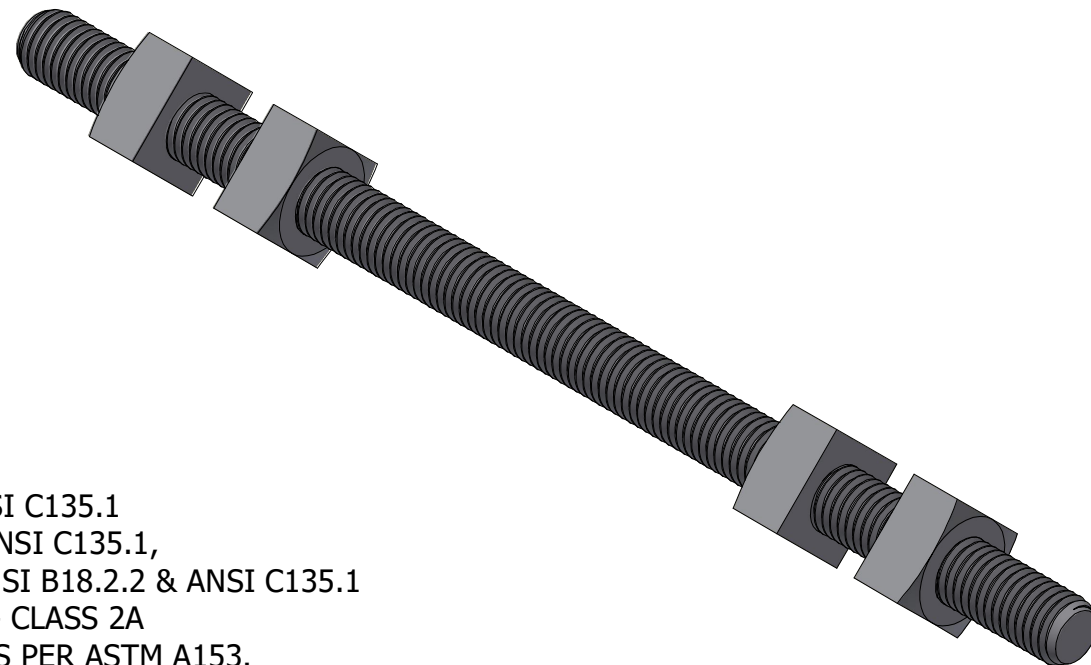
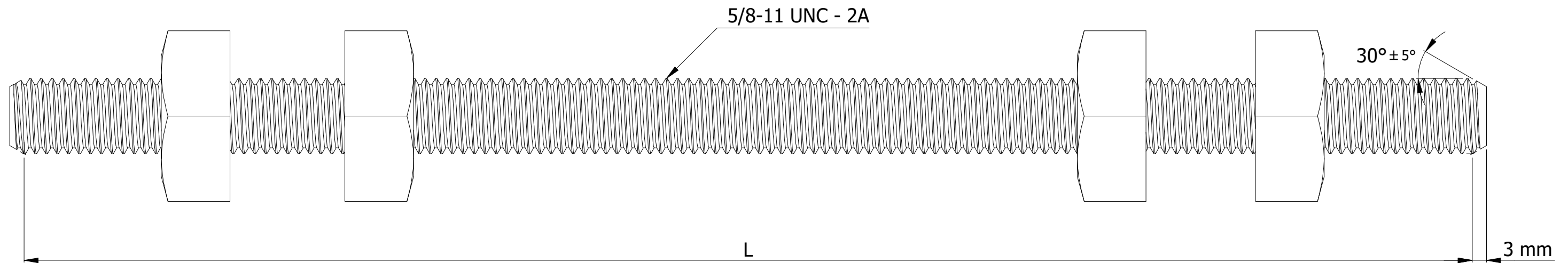


| SR NO | PART NUMBER | DESCRIPTION | LENGTH (L) INCH | WEIGHT (LBS) |
|-------|-------------|---|-----------------|--------------|
| 1 | BDA5812 | BOLT DOUBLE ARMING 5/8" X 12" 4 SQUARE NUTS | 12 | 1.3 |
| 2 | BDA5814 | BOLT DOUBLE ARMING 5/8" X 14" 4 SQUARE NUTS | 14 | 1.4 |
| 3 | BDA5816 | BOLT DOUBLE ARMING 5/8" X 16" 4 SQUARE NUTS | 16 | 1.5 |
| 4 | BDA5818 | BOLT DOUBLE ARMING 5/8" X 18" 4 SQUARE NUTS | 18 | 1.7 |
| 5 | BDA5820 | BOLT DOUBLE ARMING 5/8" X 20" 4 SQUARE NUTS | 20 | 1.8 |
| 6 | BDA5822 | BOLT DOUBLE ARMING 5/8" X 22" 4 SQUARE NUTS | 22 | 2 |
| 7 | BDA5824 | BOLT DOUBLE ARMING 5/8" X 24" 4 SQUARE NUTS | 24 | 2.1 |
| 8 | BDA5826 | BOLT DOUBLE ARMING 5/8" X 26" 4 SQUARE NUTS | 26 | 2.2 |
| 9 | BDA5828 | BOLT DOUBLE ARMING 5/8" X 28" 4 SQUARE NUTS | 28 | 2.4 |
| 10 | BDA5830 | BOLT DOUBLE ARMING 5/8" X 30" 4 SQUARE NUTS | 30 | 2.6 |
| 11 | BDA5832 | BOLT DOUBLE ARMING 5/8" X 32" 4 SQUARE NUTS | 32 | 2.8 |



NUT DETAIL



- NOTE:
1. MATERIAL: STEEL - ANSI C135.1
 2. DIMENSIONS: BOLT - ANSI C135.1,
NUT - ANSI B18.2.2 & ANSI C135.1
 3. THREADS: 5/8 - 11UNC- CLASS 2A
 4. FINISH: GALVANIZED AS PER ASTM A153.
 5. MINIMUM TENSILE STRENGTH 14,100 LBS

THIS DRAWING
CONTAINS
CONFIDENTIAL
INFORMATION
AND IS THE
EXCLUSIVE
PROPERTY OF
ORBIS
MANUFACTURING

ORBIS

| | | | |
|----------|-----|------|------------|
| DRAWN | MSM | DATE | 22-07-2022 |
| APPROVED | DMM | DATE | 27-07-2022 |
| REVISION | DMM | R1.1 | 22-02-2024 |

DRAWING NUMBER

BDA58XX

DESCRIPTION

BOLT DOUBLE ARMING 5/8" X L"
4 SQUARE NUTS