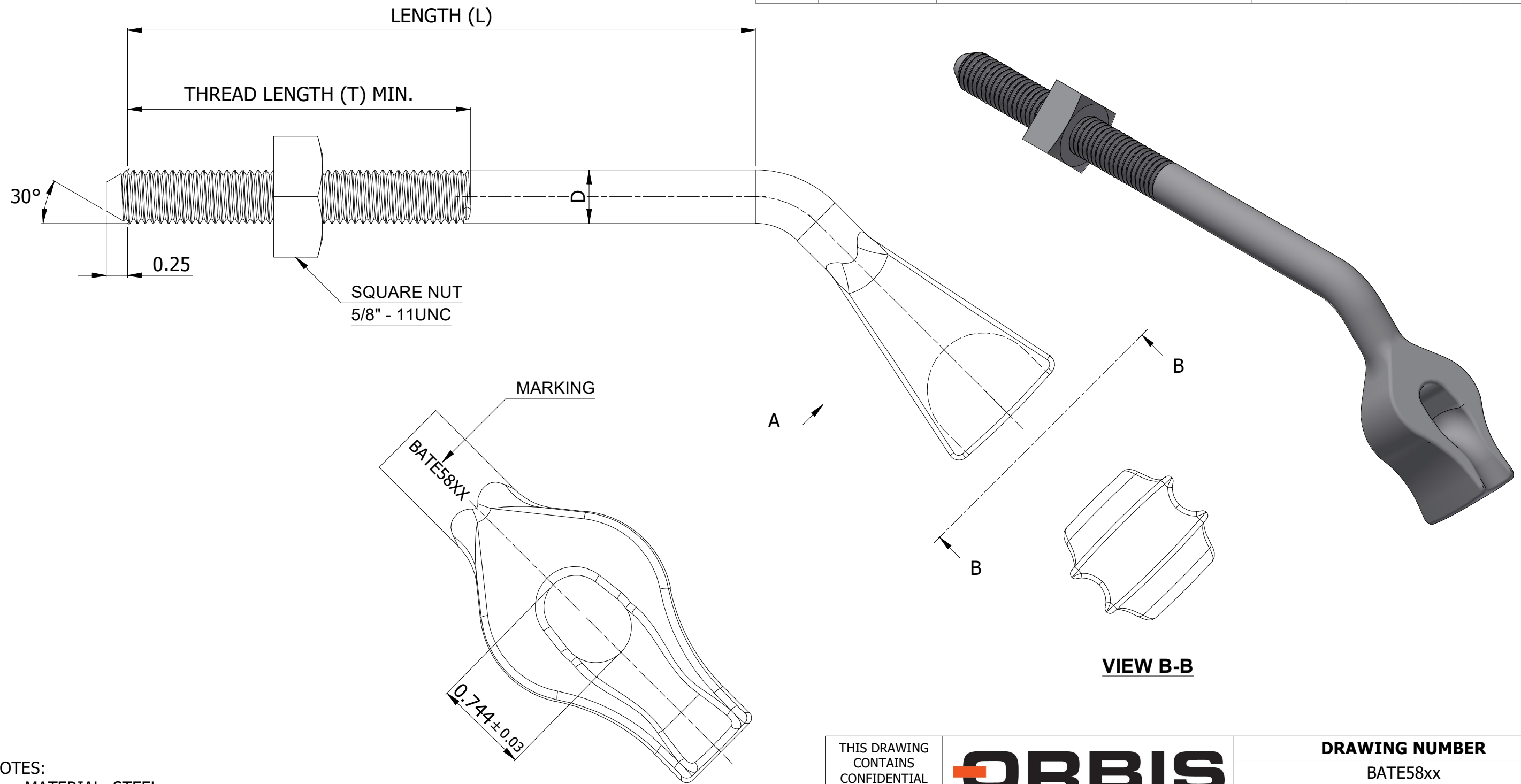


SR NO	PART NUMBER	DESCRIPTION	L (INCH)	T (INCH)	D (INCH)
1	BATE5806	BOLT ANGLED THIMBLE EYE 5/8" x 6"	6	4	5/8
2	BATE5808	BOLT ANGLED THIMBLE EYE 5/8" x 8"	8	4	5/8
3	BATE5810	BOLT ANGLED THIMBLE EYE 5/8" x 10"	10	4	5/8
4	BATE5812	BOLT ANGLED THIMBLE EYE 5/8" x 12"	12	6	5/8
5	BATE5814	BOLT ANGLED THIMBLE EYE 5/8" x 14"	14	6	5/8
6	BATE5816	BOLT ANGLED THIMBLE EYE 5/8" x 16"	16	6	5/8
7	BATE5818	BOLT ANGLED THIMBLE EYE 5/8" x 18"	18	6	5/8
8	BATE5820	BOLT ANGLED THIMBLE EYE 5/8" x 20"	20	6	5/8
9	BATE5822	BOLT ANGLED THIMBLE EYE 5/8" x 22"	22	6	5/8



- NOTES:
1. MATERIAL: STEEL
 2. MINIMUM TENSILE STRENGTH: 14,100 LBS.
 3. THREADS: 5/8" - 11 UNC
 4. FINISH: HOT DIP GALVANIZED AS PER ASTM A153

THIS DRAWING
CONTAINS
CONFIDENTIAL
INFORMATION
AND IS THE
EXCLUSIVE
PROPERTY OF
ORBIS
MANUFACTURING

ORBIS

DRAWN	MSM	DATE	25-10-2024
APPROVED	DMM	DATE	31-10-2024
REVISION	-		

DRAWING NUMBER

BATE58xx

DESCRIPTION

5/8" ANGLED THIMBLE EYE BOLT