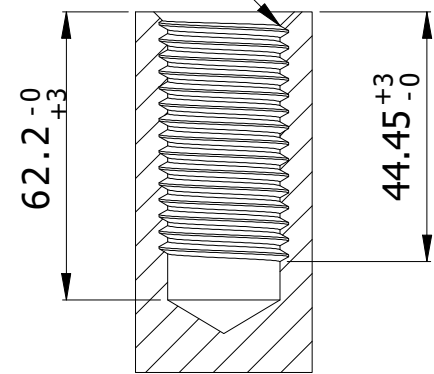
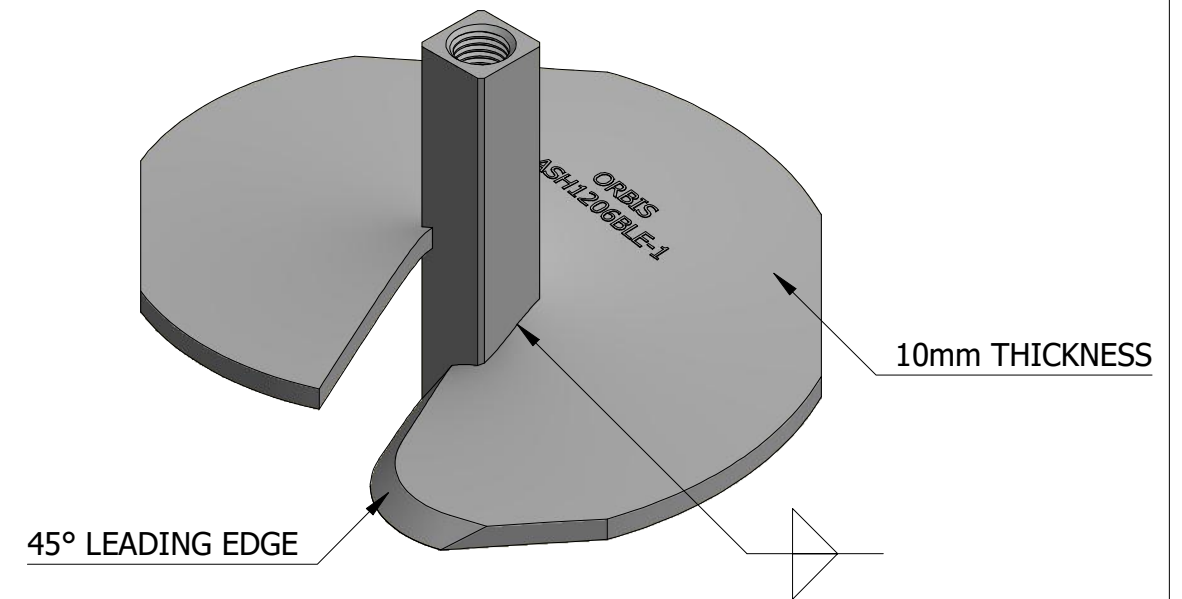
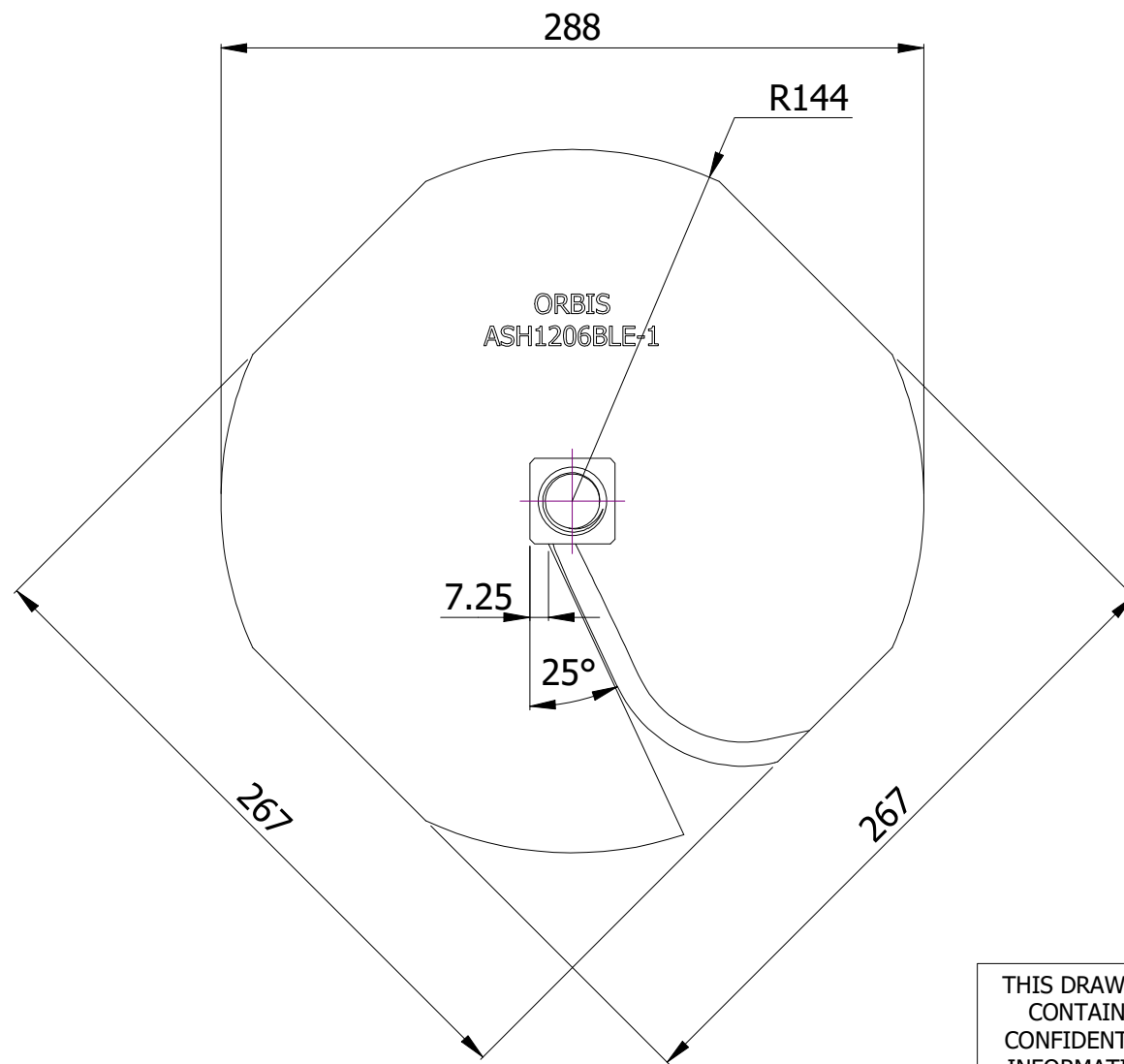
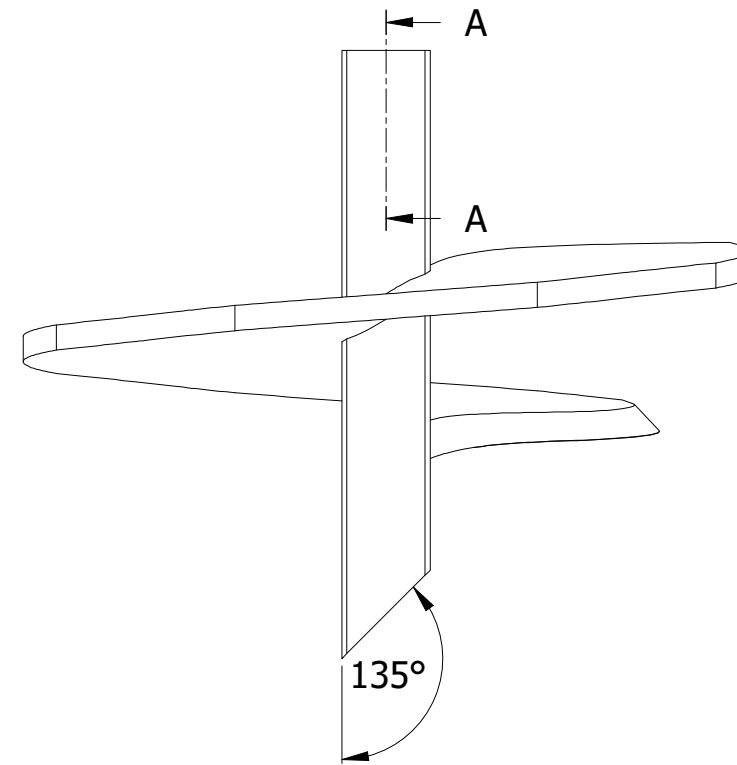
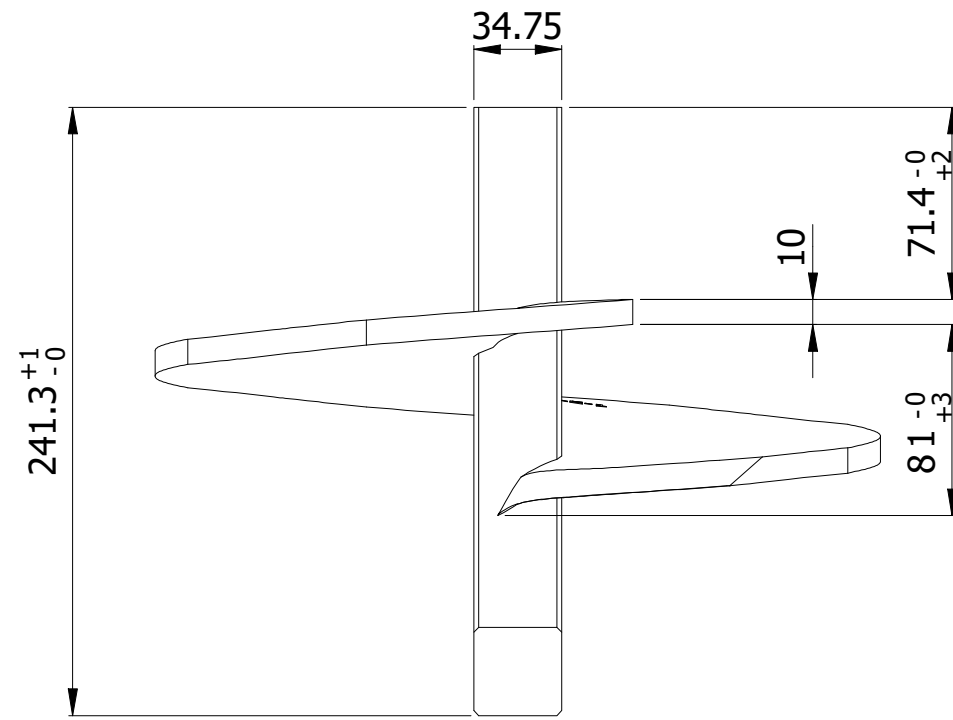


1.021" - 8 UNC -2B



SECTION A-A



NOTES:

1. FINISH: CORROSION-RESISTANT GREY PAINT
2. TORQUE RATING: 6000 FT-LBS
3. ALL DIMENSIONS ARE IN MM UNLESS SPECIFIED
4. TOLERANCE +/- 5%

THIS DRAWING
CONTAINS
CONFIDENTIAL
INFORMATION
AND IS THE
EXCLUSIVE
PROPERTY OF
ORBIS
MANUFACTURING



DRAWN	MSM	DATE	25-01-2023
APPROVED	DMM	DATE	01-02-2023
REVISION	R1.1	DATE	09-11-2023

DRAWING NUMBER

ASH1206BLE-1

DESCRIPTION

ANCHOR 12" 6000 FT LBS SOLID HUB 1-3/8" SQ OD 1" THREAD BEVELED LEADING EDGE