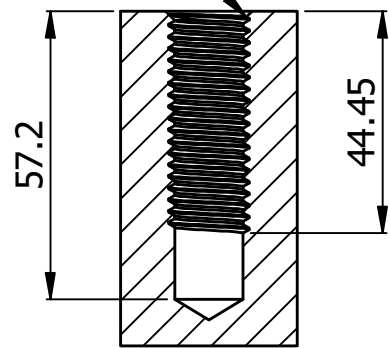
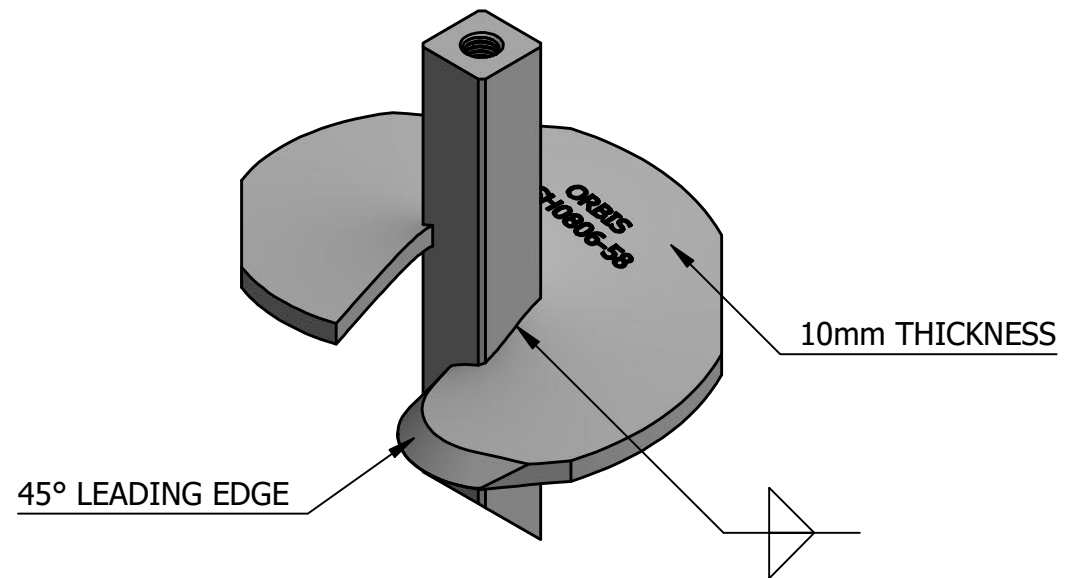
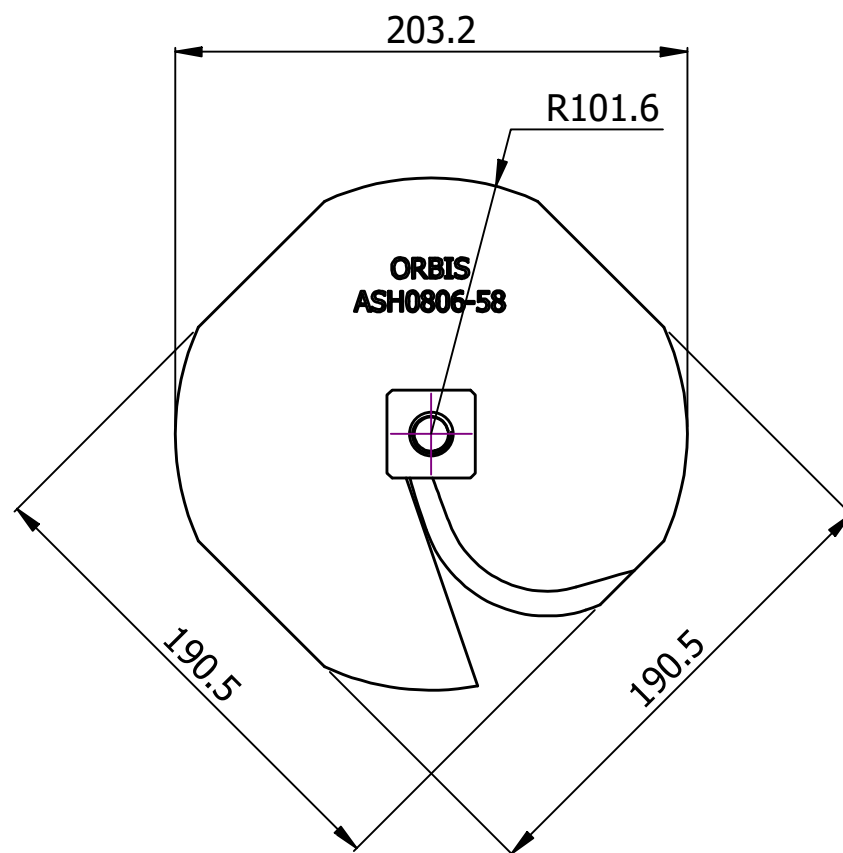
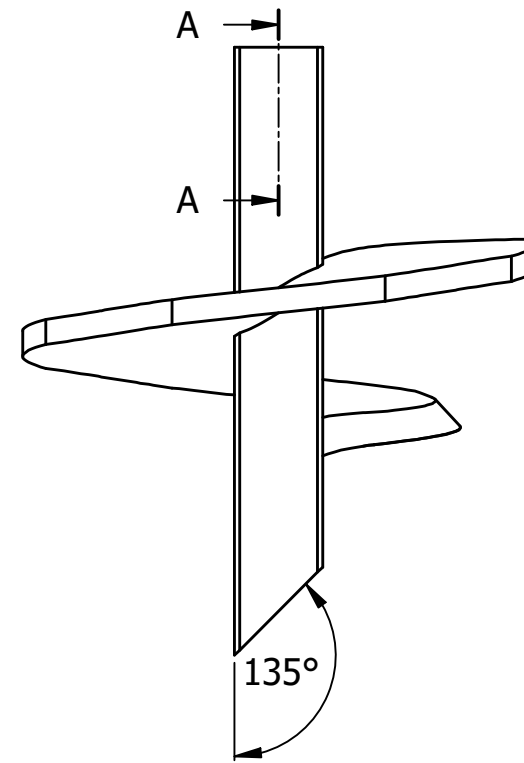
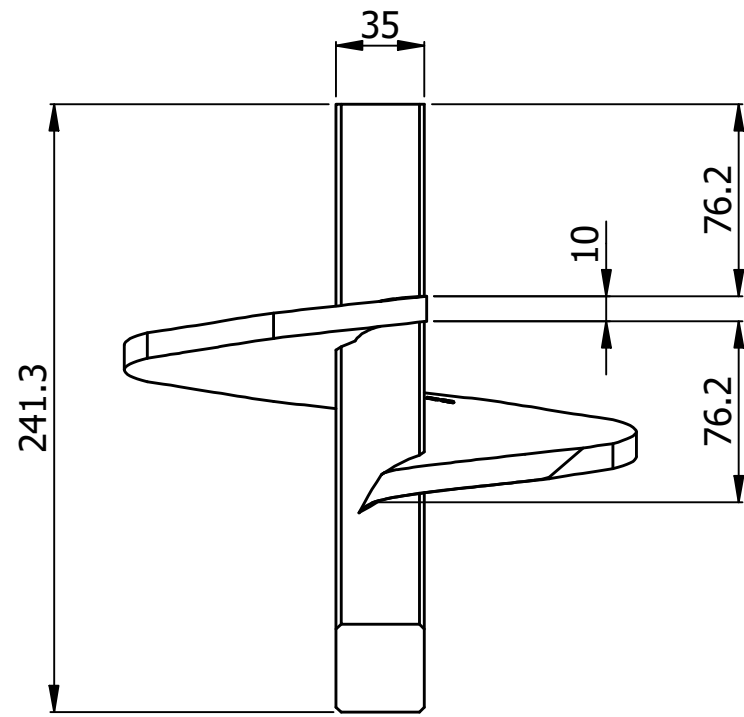


OVER TAP
THREAD 0.646"



SECTION A-A



- NOTES:
 1. FINISH: CORROSION-RESISTANT GREY PAINT
 2. TORQUE RATING: 6000 LBS
 3. ALL DIMENSIONS ARE IN MM UNLESS SPECIFIED

THIS DRAWING
 CONTAINS
 CONFIDENTIAL
 INFORMATION
 AND IS THE
 EXCLUSIVE
 PROPERTY OF
 ORBIS
 MANUFACTURING

ORBIS

DRAWN	MSM	DATE	20-07-2022
APPROVED	DMM	DATE	25-07-2022
REVISION	-		

DRAWING NUMBER

ASH0806-58

DESCRIPTION

ANCHOR 8" 6000 FT LBS SOLID HUB 1-3/8"
 SQ OD 5/8" THREAD