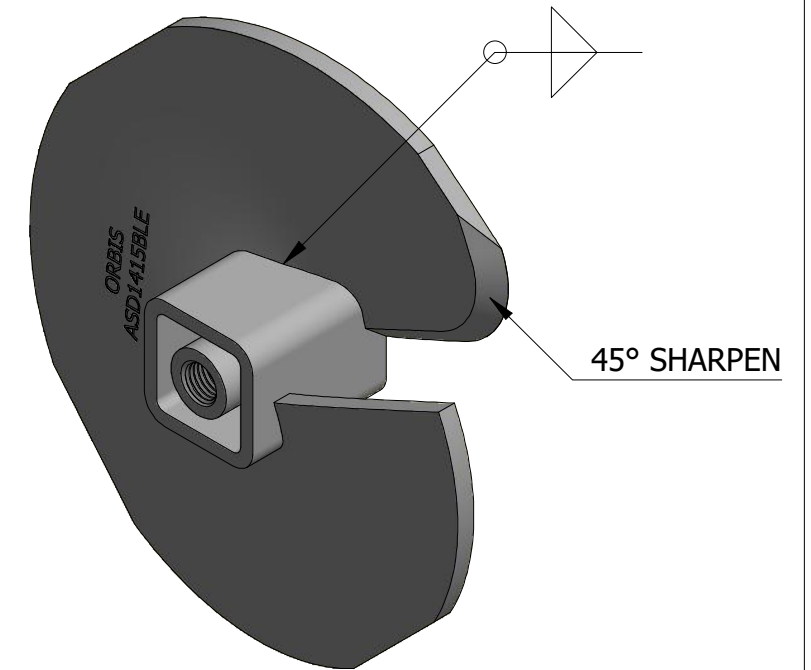


SECTION A-A



NOTES:

1. FINISH: CORROSION-RESISTANT GREY PAINT
2. TORQUE RATING: 15,000 FT-LBS
3. ALL DIMENSIONS ARE IN MM UNLESS SPECIFIED

THIS DRAWING
CONTAINS
CONFIDENTIAL
INFORMATION
AND IS THE
EXCLUSIVE
PROPERTY OF
ORBIS
MANUFACTURING



DRAWN	MSM	DATE	21-07-2022
APPROVED	DMM	DATE	26-08-2022
REVISION	1.1		

DRAWING NUMBER

ASD1415BLE

DESCRIPTION

ANCHOR 14" 15,000 FT LBS SOCKET DRIVE
2-1/2" SQ ID 1" THREAD BEVELED LEADING
EDGE