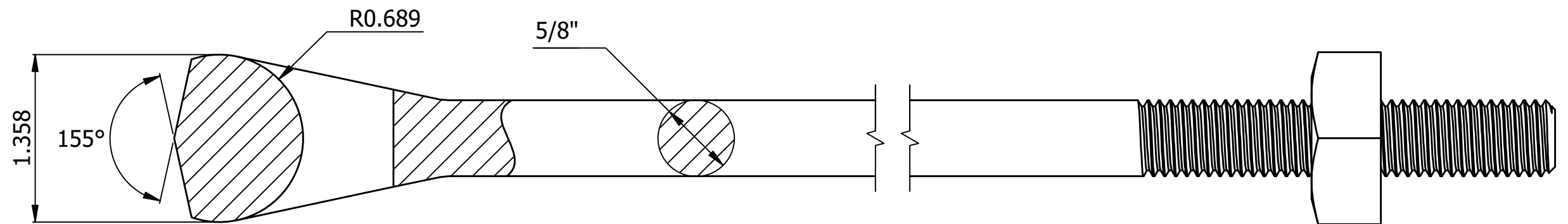
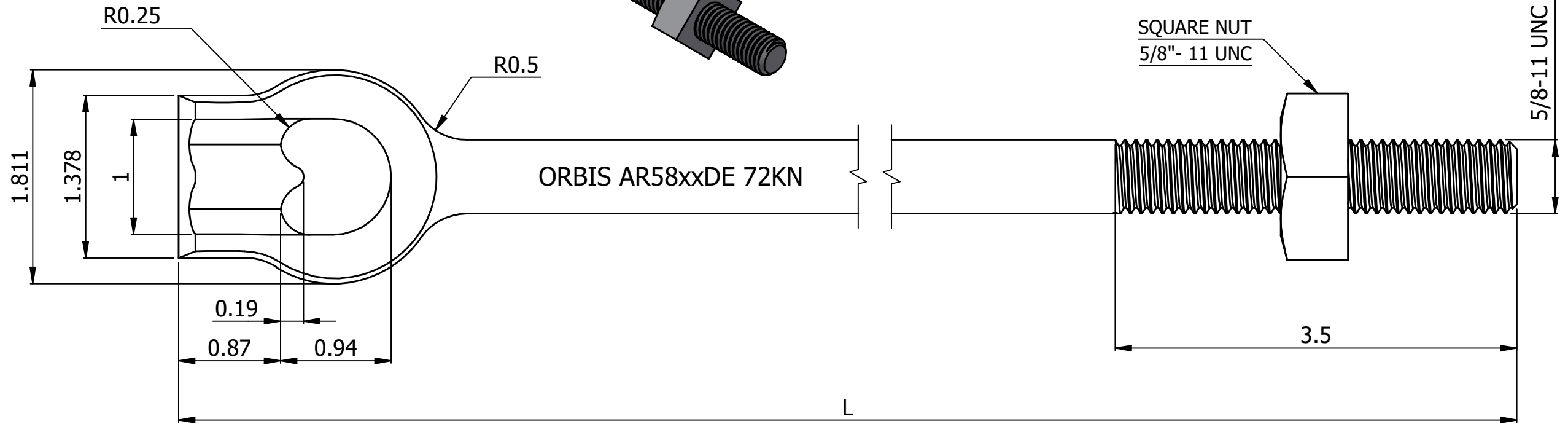
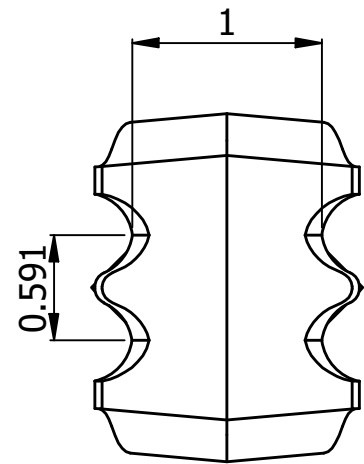
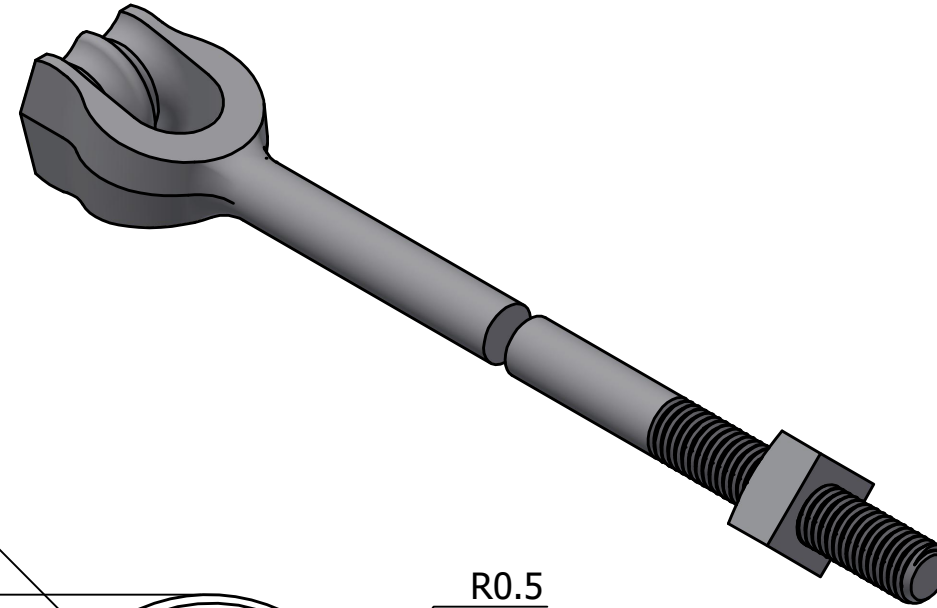


SR NO	PART NUMBER	DESCRIPTION	L (FT)
1	AR5806DE	ANCHOR ROD 6' DOUBLE EYE THIMBLE 5/8" ROD	6
2	AR5807DE	ANCHOR ROD 7' DOUBLE EYE THIMBLE 5/8" ROD	7
3	AR5808DE	ANCHOR ROD 8' DOUBLE EYE THIMBLE 5/8" ROD	8



NOTE:-

1. FINISH: HOT DIP GALVANIZED AS PER ASTM 153
2. UNLESS SPECIFIED WISE ALL DIMENSIONS ARE IN INCHES
3. ULTIMATE STRENGTH 72 KN (16,000 LBS).

THIS DRAWING
CONTAINS
CONFIDENTIAL
INFORMATION
AND IS THE
EXCLUSIVE
PROPERTY OF
ORBIS
MANUFACTURING

ORBIS

DRAWN	MSM	DATE	27-07-2022
APPROVED	DMM	DATE	03-08-2022
REVISION	-		

DRAWING NUMBER

AR58XXDE

DESCRIPTION

ANCHOR ROD L' DOUBLE EYE THIMBLE ROD AND THREAD 5/8"