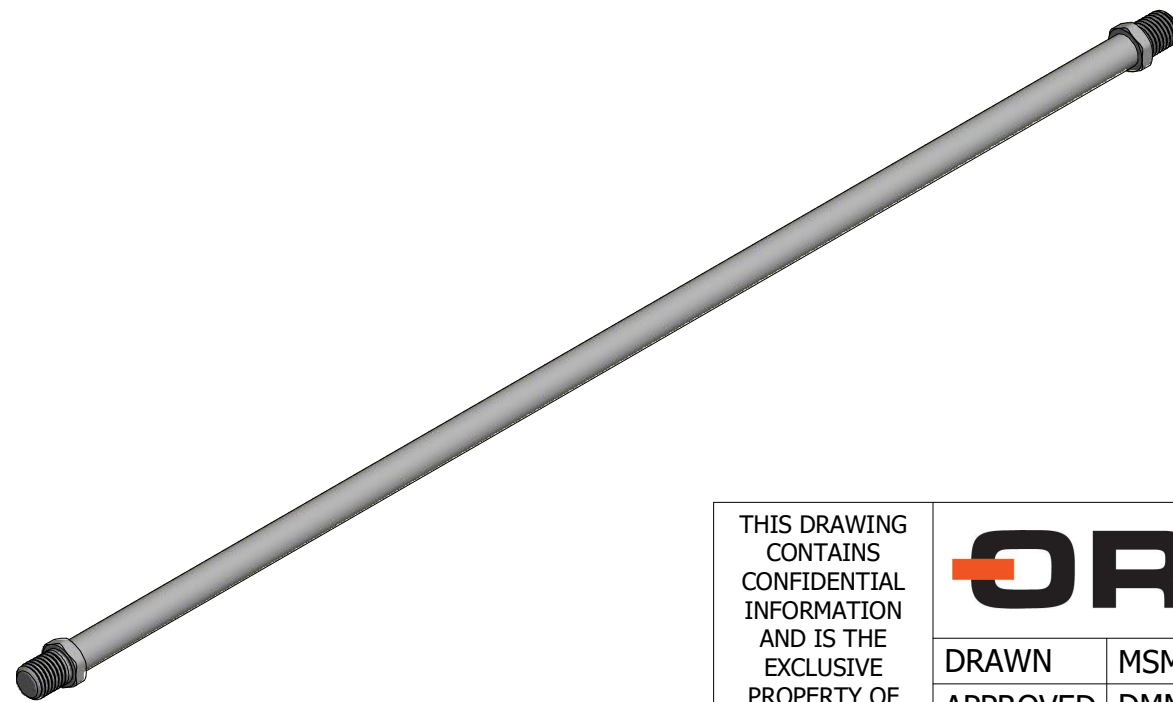
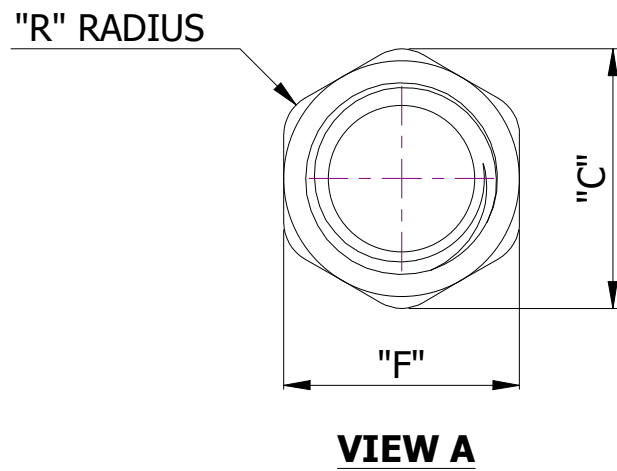
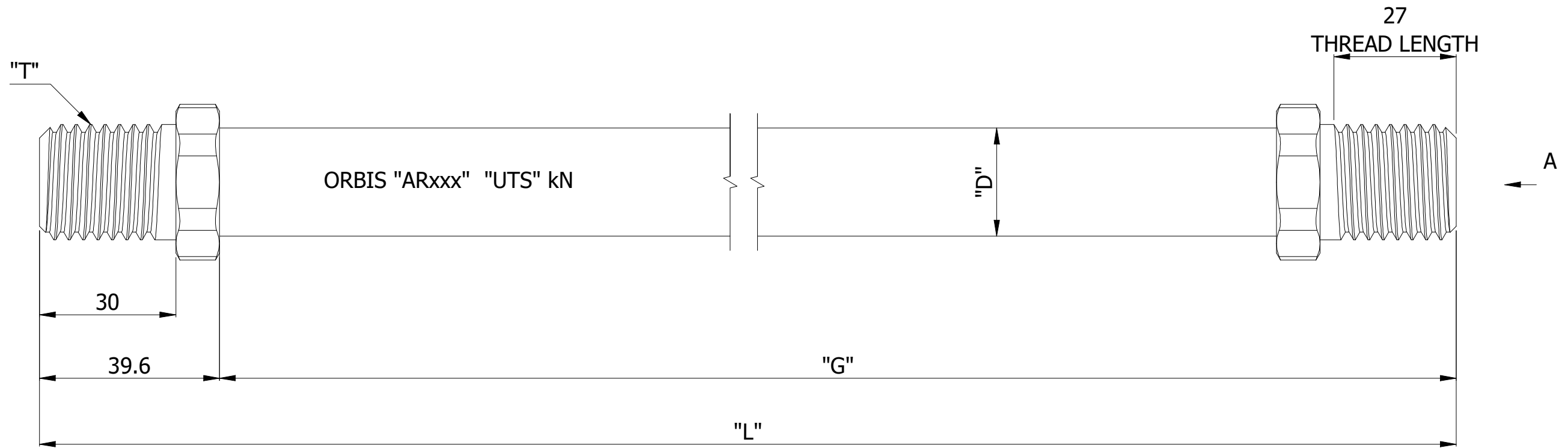


SR NO	PART NUMBER	DESCRIPTION	"D"	"G"	"L"	"F"	"C"	"R"	"T"	ULTIMATE STRENGTH (LBS)
1	AR5836	5/8" x 3'6" ANCHOR ROD	14.3	1027.4	1067	25.4	24.5	2.4	43/64" - 11 UNS-2A	16,000
2	AR5807	5/8" x 7' ANCHOR ROD	14.3	2082.9	2122.5	25.4	24.5	2.4	43/64" - 11 UNS-2A	16,000
3	AR3436	3/4" x 3'6" ANCHOR ROD	17.5	1027.4	1067	31.2	34.5	5.6	1"-8 UNC - 2A	23,000
4	AR3407	3/4" x 7' ANCHOR ROD	17.5	2082.9	2122.5	31.2	34.5	5.6	1"-8 UNC - 2A	23,000
5	AR1036	1" x 3'6" ANCHOR ROD	23.8	1027.4	1067	31.2	34.5	5.6	1"-8 UNC - 2A	36,000
6	AR107	1" x 7' ANCHOR ROD	23.8	2082.9	2122.5	31.2	34.5	5.6	1"-8 UNC - 2A	36,000
7	AR1036-H	1" x 3'6" ANCHOR ROD HIGH STRENGTH	23.8	1027.4	1067	31.2	34.5	5.6	1"-8 UNC - 2A	50,000
8	AR107-H	1" x 7' ANCHOR ROD HIGH STRENGTH	23.8	2082.9	2122.5	31.2	34.5	5.6	1"-8 UNC - 2A	50,000



- NOTES:
- HOT DIP GALVANIZED AS PER ASTM 153.
 - ALL MEASUREMENTS IN MM UNLESS SPECIFIED

THIS DRAWING
CONTAINS
CONFIDENTIAL
INFORMATION
AND IS THE
EXCLUSIVE
PROPERTY OF
ORBIS
MANUFACTURING

ORBIS

DRAWN	MSM	DATE	21-07-2022
APPROVED	DMM	DATE	26-07-2022
REVISION	-		

DRAWING NUMBER

AR10XX

DESCRIPTION

ANCHOR ROD