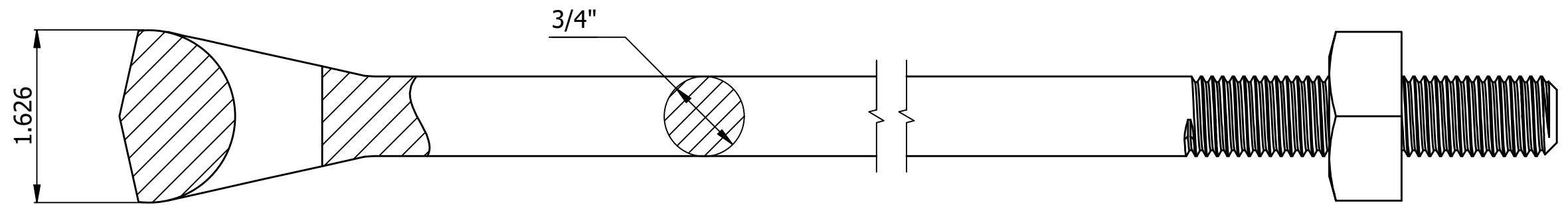
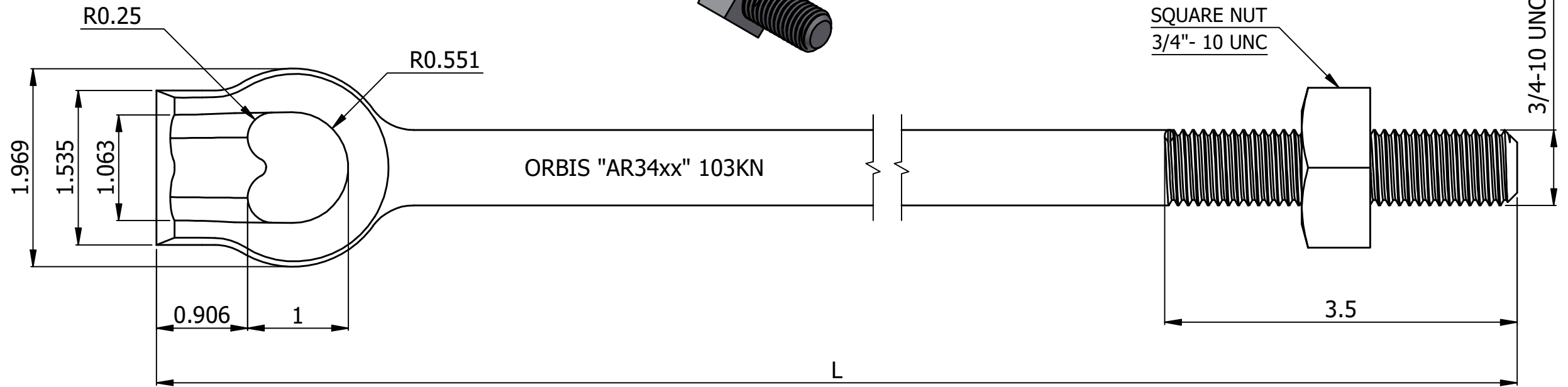
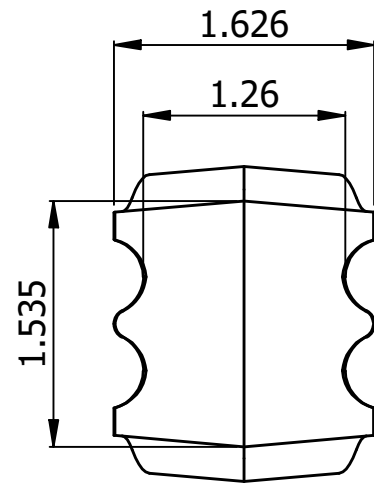
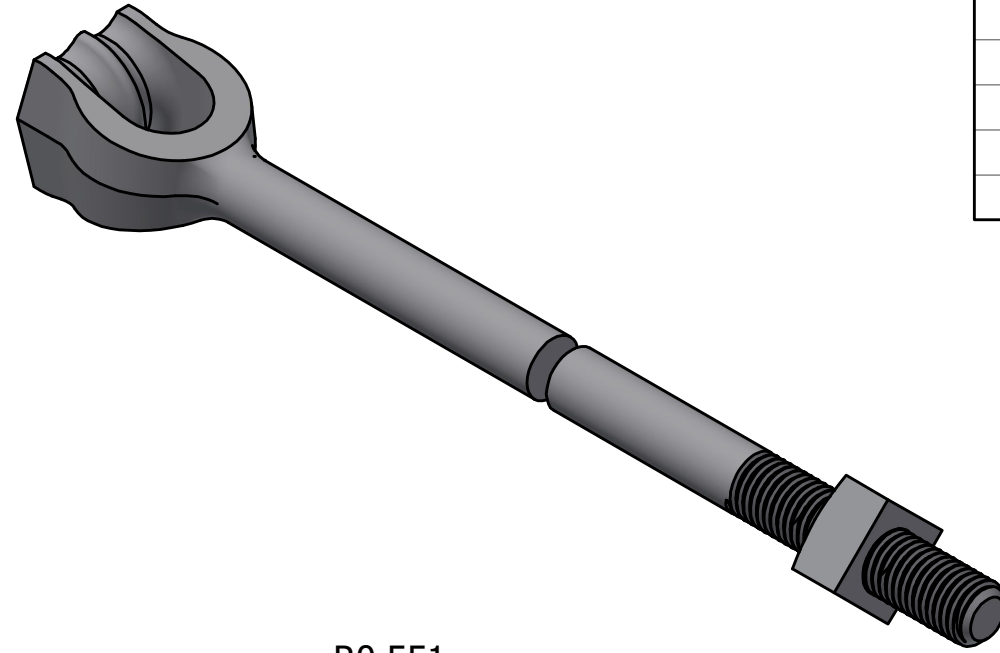


SR NO	PART NUMBER	DESCRIPTION	L (FT)
1	AR3406DE	ANCHOR ROD 6' DOUBLE EYE THIMBLE 3/4" ROD	6
2	AR3407DE	ANCHOR ROD 7' DOUBLE EYE THIMBLE 3/4" ROD	7
3	AR3408DE	ANCHOR ROD 8' DOUBLE EYE THIMBLE 3/4" ROD	8
4	AR3409DE	ANCHOR ROD 9' DOUBLE EYE THIMBLE 3/4" ROD	9
5	AR3410DE	ANCHOR ROD 10' DOUBLE EYE THIMBLE 3/4" ROD	10



**NOTE:**

1. HOT DIP GALVANIZED AS PER ASTM A153
2. MATERIAL: FORGED STEEL
3. ALL MEASUREMENTS IN INCHES UNLESS SPECIFIED
4. TENSILE STRENGTH 103KN (23,000 LBS)

THIS DRAWING CONTAINS CONFIDENTIAL INFORMATION AND IS THE EXCLUSIVE PROPERTY OF ORBIS MANUFACTURING



DRAWN	MSM	DATE	27-07-2022
APPROVED	DMM	DATE	03-08-2022
REVISION	DMM	R1.2	05-08-2024

**DRAWING NUMBER**

AR34XXDE

**DESCRIPTION**

ANCHOR ROD L' DOUBLE EYE THIMBLE 3/4" ROD