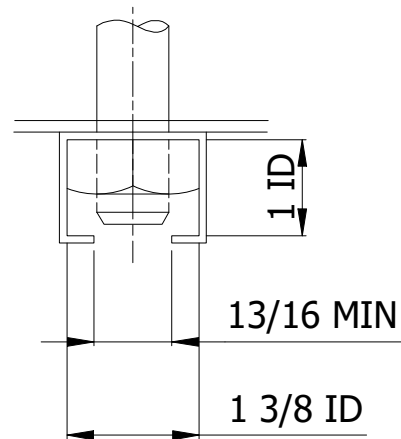
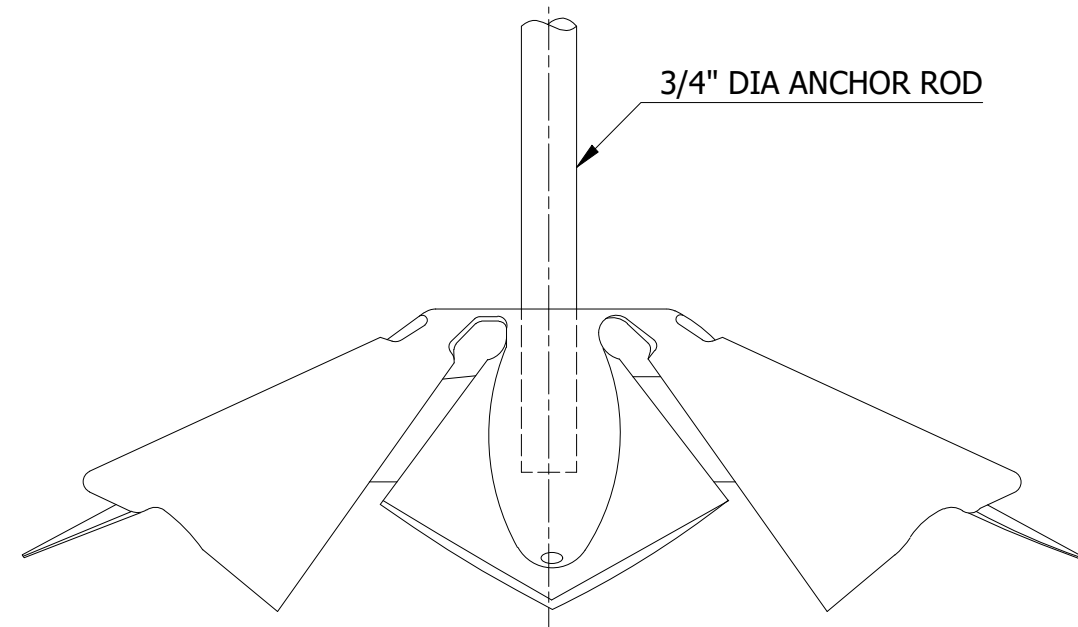


NUT RETAINER DETAIL



NOTES:

1. ACCEPTS 5/8" AND 3/4" ANCHOR RODS
2. EXPANDS TO 135 SQUARE INCHES
3. CORROSION-RESISTANT BLACK PAINT
4. MATERIAL: STEEL
5. ALL MEASUREMENTS IN INCHES



THIS DRAWING
CONTAINS
CONFIDENTIAL
INFORMATION
AND IS THE
EXCLUSIVE
PROPERTY OF
ORBIS
MANUFACTURING

ORBIS

DRAWN	MSM	DATE	30-10-2022
APPROVED	DMM	DATE	05-11-2022
REVISION	-		

DRAWING NUMBER

ABE821A

DESCRIPTION

ANCHOR BUST EXPANSION 8" HOLE 135
SQ IN AREA 5/8 OR 3/4 ROD